

HD8851/01

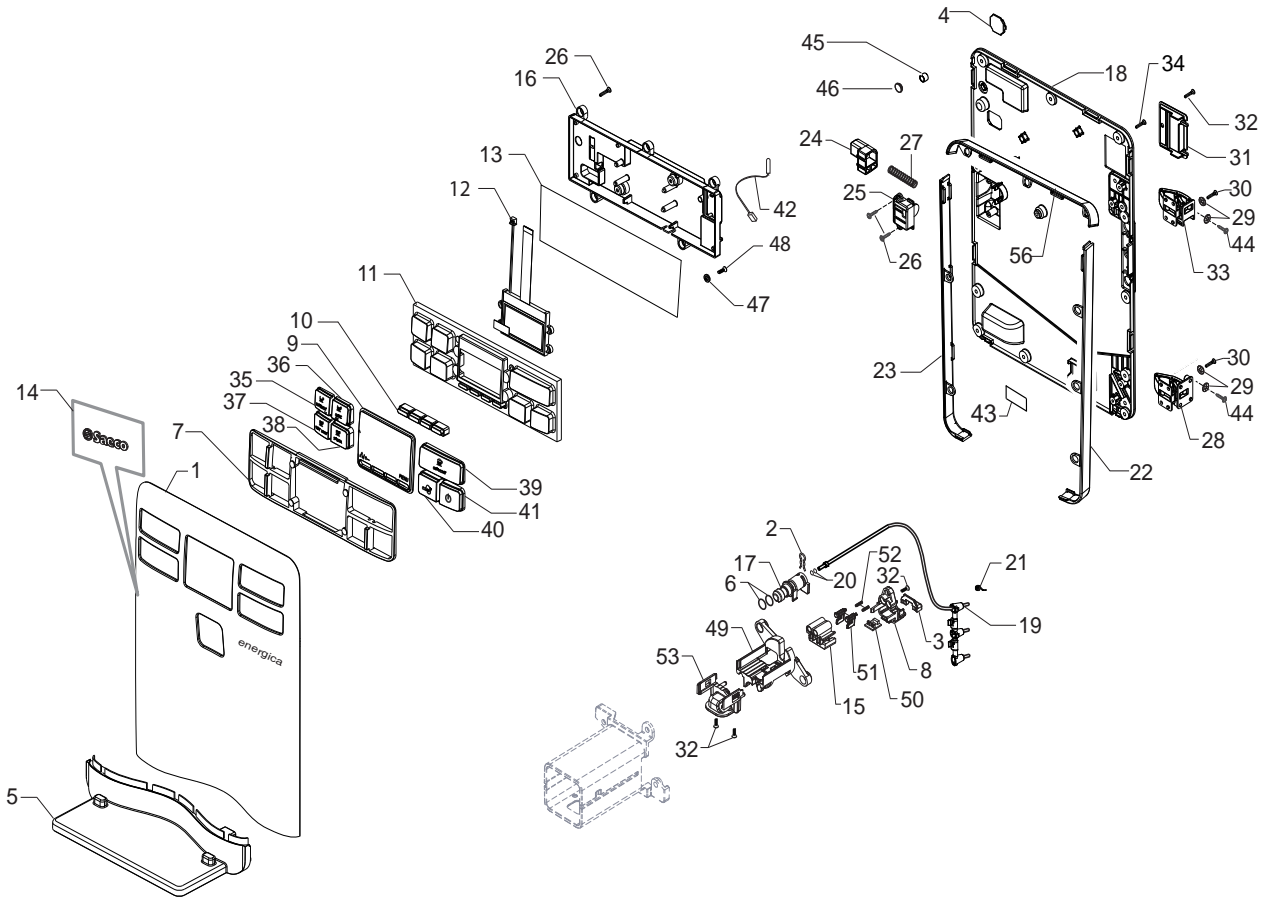


Cod.10004194

POS	CODE	12NC	DESCRIPTION	NOTE	POS	CODE	12NC	DESCRIPTION	NOTE
01	11030755	996530072605	TXT/BLK UPPER REAR FRAME INSERT MDS		38	11022971	996530007521	BLACK SCREW HOLE COVER CAP MDS	
02	146680850	996530016529	BLACK COFFEE MEASURE SMART		39	17000363	996530009605	TRANSP.INFRAREDS PLATE MDS	
03	127390100	996530011867	BRUSH FOR CLEANING		40	11021976	996530007207	STEEL PLATE FOR DOOR CLOSURE MYB9	
04	11028379	996530070318	PSA KLUBER TRIBOSTAR SIL 2 TUBE 5GR.		41	129913202	996530013156	SCREW TCB TORX 10 3X8 PLAST.ZN-B	
05	11030757	996530072596	TXT/BLK LEFT LATERAL REAR FRAME INS.MDS		42	9161.111	996530050555	MAGNET FOR FLOAT SUPERAUT.	
06	0301.961	996530039604	STICKER FOR WATER HARDNESS TEST		43	186401220	996530026185	BENT TABS 6,3 D=3,3 <=90° 4001851000	
07	183911050	996530025808	BLACK POWER CABLE SCHUKO L=1200						
08	11030756	996530072619	TXT/BLK RIGHT LATERAL REAR FRAME INS.MDS						
09	20006892	996530067472	KIT PS-E INSERT FOR BOX MDS						
10	17000111	996530067464	BLACK COVER CONDUCTING SEAL MDS						
11	13001624	996530073048	FLEXO.BOX MDS/B SAE ENERGIKA PURE WE						
12	12000450	996530007819	SCREW TCB TORX 10 3,5X12 PLAST.ZN-N						
13	11030840	996530072588	MATT/BLK GROUND CONTAIN.DOOR S/SCR.MDS/P						
14	11030827	996530072591	MATT/BLACK WATER CONTAINER DOOR MDS/P						
15	11030825	996530072633	MATT/BLACK LEFT SIDE PANEL MDS/P						
16	11023035	996530007549	SS SPRING FOR WATER CONTAINER LEVER MDS						
17	11022425	996530007364	YELLOW LEVER FOR WATER CONTAIN.S/SC.MYB9						
18	11030828	996530072577	MATT/BLACK BEAN CONTAINER DOOR MDS/P						
19	12001330	996530008026	TRANSP.ROUND ADHESIVE FOOT SJ-5382						
20	17000113	996530067474	BLACK COVER CASING V2 MDS						
21	11022950	996530007507	BLACK GROUND COFFEE HOPPER PLATE MDS						
22	11023060	996530007567	BLACK HORIZONTAL MOUNTING PLATE MDS						
23	11022938	996530067532	BLACK STEEL CASING MDS ASSY.						
24	11003232	996530001522	AS.CPU+SW WATER LEVEL SENSOR V2						
25	11029525	996530073097	PWR BOARD MDS/B	230V					
26	11023061	996530007568	BLACK PWR BOARD COVER MDS						
27	129914002	996530013165	SCREW TCB TORX 10 3,5X16 PLAST.ZN-B						
28	11022956	996530007512	BLACK REAR PANEL WHIT LOGO SAECO MDS						
29	11030826	996530072549	MATT/BLACK RIGHT SIDE PANEL MDS/P						
30	11021829	996530007156	BLACK/TRANSP.RIGID FOOT MYB9						
31	11021769	996530007136	BLACK RIGID FOOT FIXING PIN MYB9						
32	11023034	996530007548	BLACK DUMP BOX MDS ASSY.						
33	11023032	996530007547	BLK DRIP TRAY COFF.BREW UNIT COVER MDS						
34	17002176	996530073075	BLACK COFFEE UNIT DRIP TRAY V2 MDS						
35	11023166	996530007589	40POLES FLAT CABLE BOARDS LINK MDS UL						
36	11013806	996530006864	BLACK FLAT-CABLE PROTECTION MYB9						
37	17000064	996530067437	BLK CAPACIT.SENSOR DEADLOCK INSERT XSM						



ENERGIKA PURE



HD8851/01



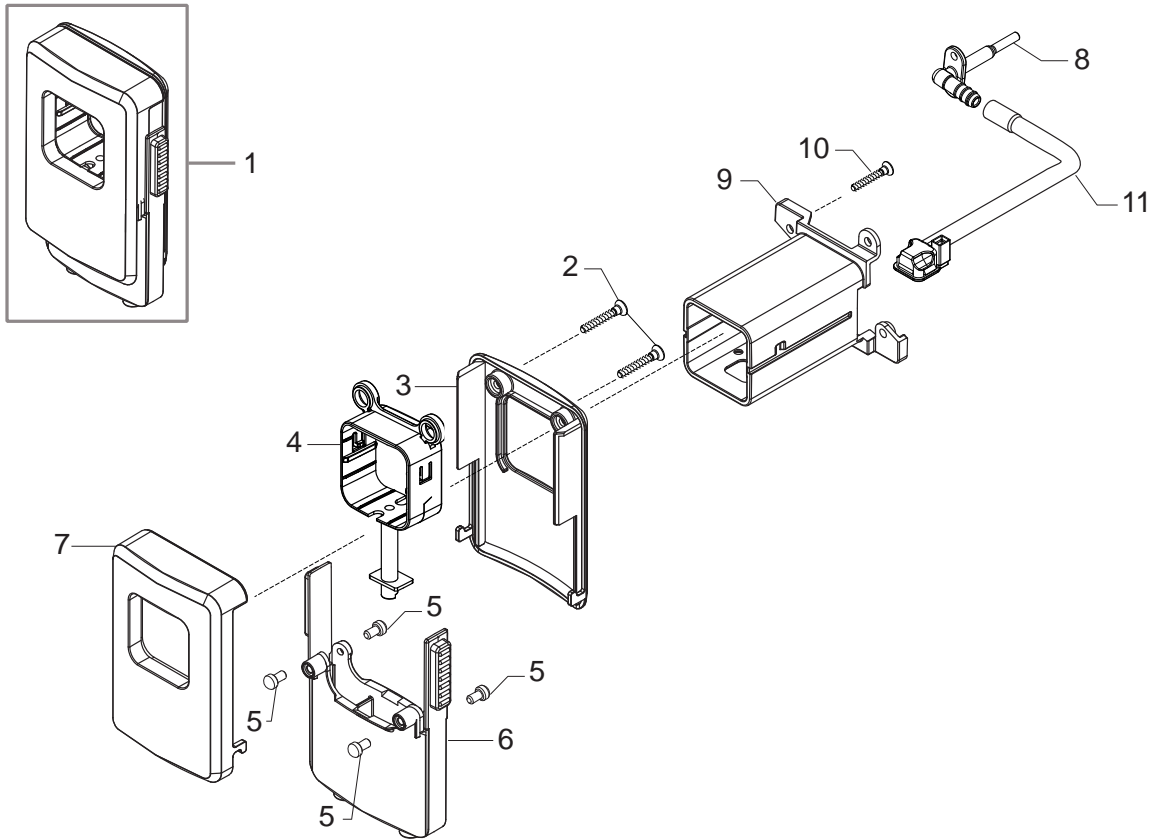
Cod.10004194

POS	CODE	12NC	DESCRIPTION	NOTE
01	11029902	996530073045	SB/SS FRONTAL PANEL S/SCR.MDS/B ASSY.	
02	9011.144	996530048885	SS FORK FOR TUBE D=4	
03	17001738	996530073061	BLACK CAPPUC.BOARD CAP MDS/B	
04	17000363	996530009605	TRANSP.INFRAREDS PLATE MDS	
05	11029324	996530070524	BLACK DRIP TRAY SUPPORT V2 MDS	
06	140328059	996530013564	OR 2015 SILICONE PTFE/FDA	
07	11031118	996530073062	BLACK TOUCH PANEL SUPPORT V2 MDS ASSY.	
08	17001737	996530073099	BLK CAPPUC.BOARD REAR SUPPORT MDS/B	
09	17000776	996530073066	TRANSP.GLASS V2 FOR DISPLAY S/SCR.MDS	
10	17000325	996530067462	BLK DISPLAY FUNC.BUTTONS COVER S/SCR.MDS	
11	11023018	996530007538	TRANSP.TOUCH PANEL MDS	
12	12001490	996530067494	GRAPHIC DISPLAY 128 X 64 MDS	
13	11030181	996530073091	CPU+SW MDS/B ASSY.	
14	11011406	996530006054	ADHES.SILVER PLATE LOGO SAECO P0057	
15	17001732	996530073088	BLK CAPPUC.BOARD FRONT SUPPORT MDS/B	
16	11022983	996530007527	BLACK DISPLAY SUPPORT MDS	
17	17001941	996530073049	BLACK STEAM/WATER CONNECTOR MDS/B	
18	17001877	996530072979	BLK INSIDE COVER FRONT PANEL MDS/B	
19	11031232	996530073063	WHITE TEFLON TUBE SUPP.MDS/B ASSY.	
20	NM01.028	996530059392	O-RING 106 SILICONE	
21	17000698	996530072574	STEEL TEFLON TUBES SUPPORT SPRING MDS	
22	11030753	996530072767	TXT/BLK RIGHT LATER.FRONT FRAME INS.MDS	
23	11030754	996530072769	TXT/BLK LEFT LATERAL FRONT FRAME INS.MDS	
24	11014215	996530007042	BLACK BUTTON FOR DOOR RELEASE MYB9	
25	11014218	996530007043	BLACK COVER BUTTON FOR DOOR RELEASE MYB9	
26	12000450	996530007819	SCREW TCB TORX 10 3,5X12 PLAST.ZN-N	
27	11021747	996530007128	SPRING FOR DOOR RELEASE BUTTON MYB9	
28	17000094	996530009581	DOOR LOWER HINGE V2 MYB9	
29	128310402	996530012341	GALV.WASHER UNI 8842 A4	
30	12001728	996530070321	SCREW TCB TORX 10 3,5X12 PLAST.SS	
31	17000048	996530067469	BLACK FLAT-CABLE COVER MDS	
32	12000895	996530007951	SCREW TSP TORX 10 3X10 PLAST.SS	
33	17000106	996530009584	DOOR UPPER HINGE V2 MYB9	
34	17001618	996530072706	BLK UPPER BUTTON HOT WATER DISPENS.MDS/P	
35	11030884	996530072765	MATT/BLK ESPRESSO BUTTON S/SCR.MDS	
36	11030838	996530072772	MATT/BLK COFFEE BUTTON S/SCR.MDS	
37	11030835	996530072764	MATT/BLK LONG COFFEE BUTTON S/SCR.MDS	

POS	CODE	12NC	DESCRIPTION	NOTE
38	11030886	996530072743	MATT/BLK SPECIAL BUTTON S/SCR.MDS	
39	11030880	996530072747	MATT/BLK CAPPUCINO BUTTON S/SCR.MDS	
40	11030882	996530072732	MATT/BLK CLEAN BUTTON S/SCR.MDS	
41	11030889	996530072749	MATT/BLK STAND-BY BUTTON S/SCR.MDS ASSY.	
42	11003889	996530001955	2POLES CONNECT.SENSOR REED DOOR P0049 UL	
43	11003232	996530001522	AS.CPU+SW WATER LEVEL SENSOR V2	
44	129823821	996530013079	TCB SCREW M4X8 UNI 7687 SS	
45	9161.111	996530050555	MAGNET FOR FLOAT SUPERAUT.	
46	11014016	996530006968	SS.INSERT FOR MAGNET MYB9	
47	128310321	996530012339	WASHER UNI 8842 A3 SS	
48	129912902	996530013153	SCREW TCB TORX 10 AB 2,9X6,5 SHEET ZN-B	
49	17001929	996530073067	BLACK CAPPUC.SUPPORT MDS/B	
50	11030398	996530073094	CAPPUCCINATORE BOARD MDS/B	
51	17000421	996530068623	BLACK CAPPUCINATORE PRESENCE INSERT RYL	
52	17000019	996530009566	SS CARAFE MICRO INSERT SPRING MYB9	
53	17002056	996530073059	BLK COFFEE DISPENSER TUBE PROTECT.MDS/B	



ENERGICA PURE



HD8851/01

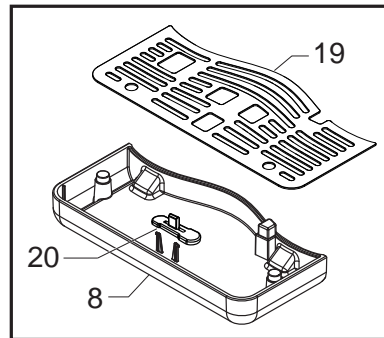
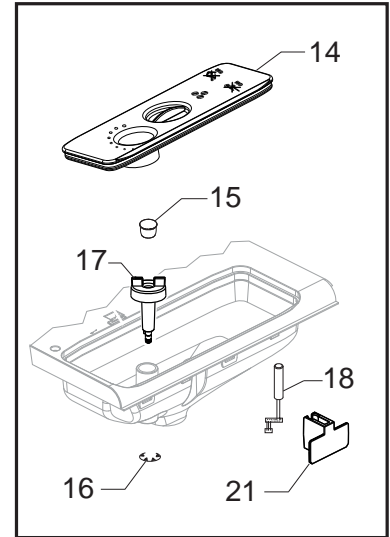
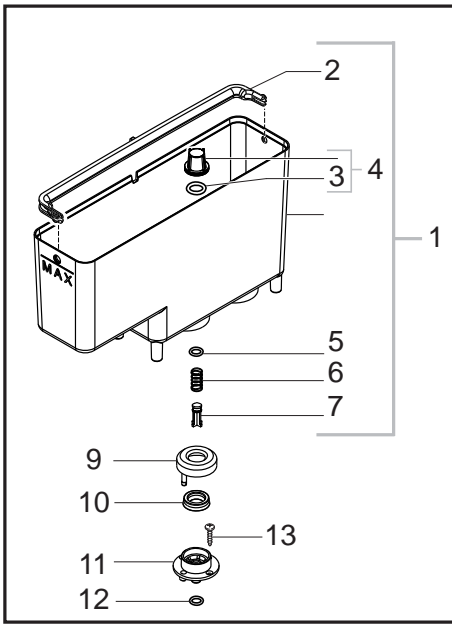


Cod.10004194

POS	CODE	12NC	DESCRIPTION	NOTE	POS	CODE	12NC	DESCRIPTION	NOTE
01	11031150	996530072714	CHROM.COFFEE DISPENSER MDS/P ASSY.						
02	12000450	996530007819	SCREW TCB TORX 10 3,5X12 PLAST.ZN-N						
03	11013001	996530006579	BLACK REAR COVER COFFEE DISPENSER MYB9						
04	17002177	996530073046	BLK COFFEE DISPENSER INNER BODY V3 MYB9						
05	11013085	996530006614	WHITE COFFEE DISPENSER SLIDER MYB9						
06	17001560	996530072722	BLK EXT.MOBILE PART COF.DISPENSER MDS/P						
07	11029584	996530072727	CHROM.FRONT COVER COFFEE DISPENSER MDS/P						
08	11013364	996530006752	BLACK DISPENSER COFF.INLET CONNECT.MYB9						
09	11031074	996530073095	CHROM.COFFEE DISPENSER SUPPORT MDS/B						
10	12000897	996530007953	SCREW TCB TORX 10 3,5X20 PLAST.SS						
11	17001517	996530073053	BLACK COFFEE DISPENSER TUBE MDS/B						



ENERGICA PURE



HD8851/01

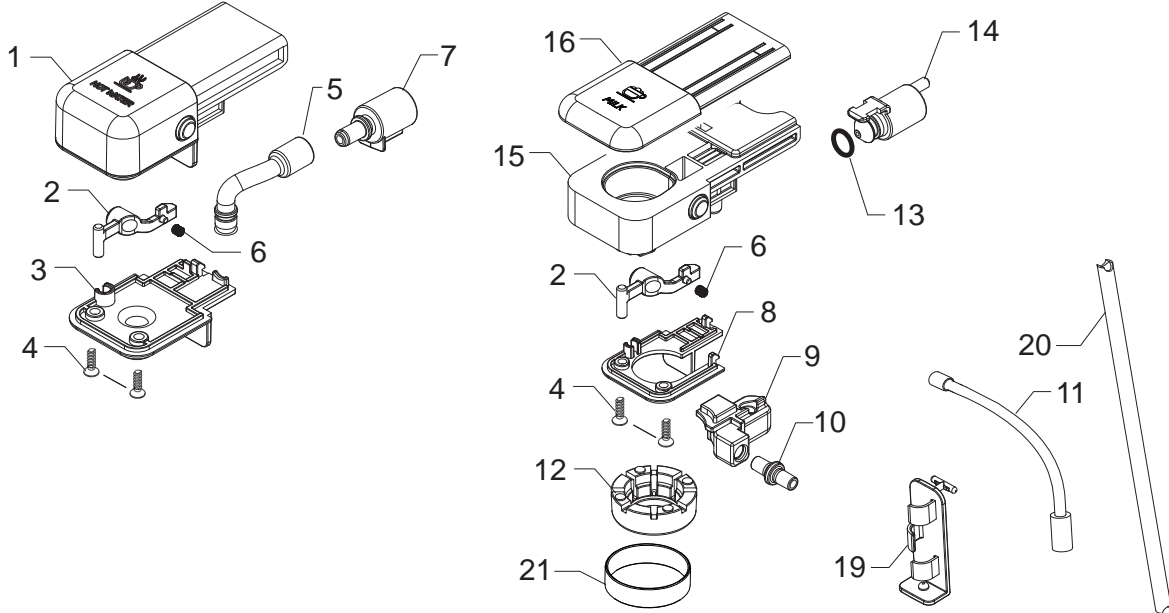
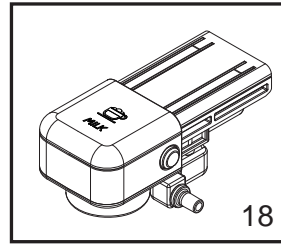
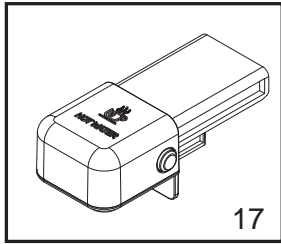


Cod.10004194

POS	CODE	12NC	DESCRIPTION	NOTE	POS	CODE	12NC	DESCRIPTION	NOTE
01	11023037	996530007552	NAT/GREY WATER CONTAINER MDS ASSY.						
02	11023155	996530007587	BLACK WATER CONTAINER HANDLE MDS						
03	140328461	996530013571	OR ORM 0190-10 EPDM						
04	224640200	996530029115	WHITE WATER CONTAINER EXT.FILTER ASSY.	WITH PART.N°03					
05	140324362	996530013507	OR ORM 0060-30 SILICONE						
06	126764718	996530011626	SS WATER CONTAINER VALVE SPRING						
07	147660562	996530016894	GREY PISTON FOR WATER CONTAINER VALVE						
08	17001960	996530073083	BLACK DRIP TRAY MDS/B ASSY.						
09	0701.031.150	996530044417	GREY WATER VALVE GACO DIM 14 SEAL COVER						
10	145842900	996530015823	NBR WATER CONT.VALVE GACO DIM14 SEAL						
11	0701.014.150	996530044404	GREY WATER VALVE GACO DIM 14 SEAL CONT.						
12	140320461	996530013446	OR ORM 0080-20 TERMOIL						
13	129535721	996530012898	SCREW TSP TORX 10 AB 3,5X9,5 SHEET SS						
14	11023044	996530007557	NAT/GRY BEAN COF.CONT.LID S/SCR.MDS ASSY						
15	149213059	996530018116	GREY CAP FOR KNOBS BEAN CONTAINER						
16	120350604	996530010768	SHAFT 6 UNI 7434						
17	11022951	996530007508	BLACK GRIND.ADJUSTMENT KNOB MDS						
18	17800552	996530073073	5POLES CONNECTOR MC SENSORS MDSE UL						
19	17001750	996530073087	SS DRIP TRAY GRATE MDS/B						
20	17000001	996530009554	RED FLOAT FOR DRIP TRAY MDS						
21	17000204	996530067529	BLACK REED SENSOR SUPPORT MDS						



ENERGICA PURE



HD8851/01



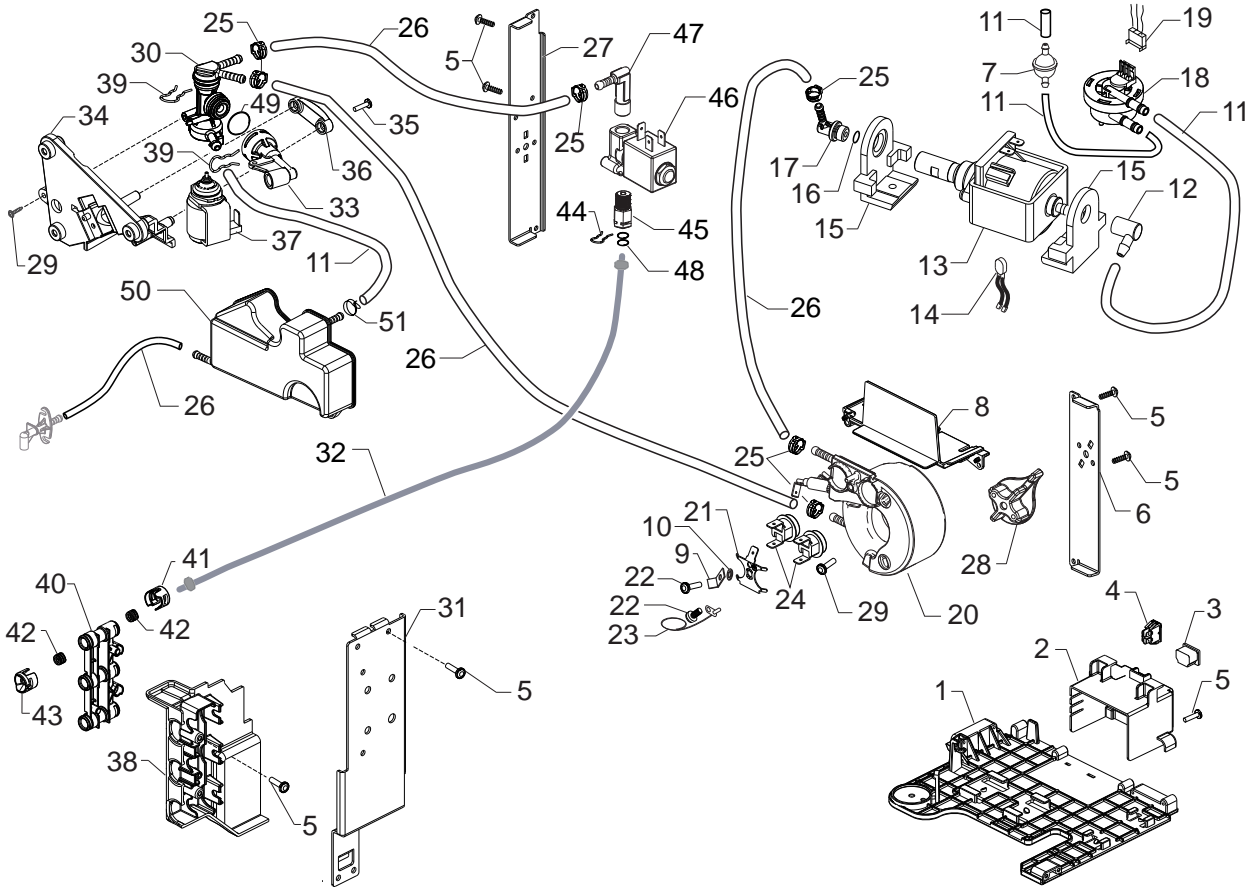
Cod.10004194

POS	CODE	12NC	DESCRIPTION	NOTE	POS	CODE	12NC	DESCRIPTION	NOTE
01	17001842	996530073072	BLK UPPER BODY HOT WATER DISPENSER MDS/B						
02	17001433	996530073054	BLACK LEFT CAPPUCCINATORE INSERT MDS/B						
03	17001845	996530073047	BLK LOWER BODY HOT WATER DISPENSER MDS/B						
04	12000895	996530007951	SCREW TSP TORX 10 3X10 PLAST.SS						
05	17001847	996530073058	BLACK HOT WATER DISPENSER TUBE MDS/B						
06	126772518	996530011711	SS COFF.CREAM ADJUSTMENT SHAFT SPRING						
07	17001846	996530073076	BLK HOT WATER DISPENSER CONNECTOR MDS/B						
08	17001438	996530073089	BLACK LOWER CAPPUCCINATORE LID MDS/B						
09	17002044	996530073052	BLK MILK INTAKE TUBE CONNECTOR MDS/B						
10	17001362	996530068626	BLK MILK INTAKE TUBE CONNECT.INS.V2 RYL						
11	17001359	996530073069	TRANSP.UPPER MILK INTAKE TUBE MDS/B						
12	17001978	996530073078	BLK CAPPUC.OUTPUT MILK CONNECTOR MDS/B						
13	NM01.028	996530059392	O-RING 106 SILICONE						
14	17001962	996530073096	BLK CAPPUCCINATORE STEAM CONNECTOR MDS/B						
15	17001993	996530073092	BLACK CAPPUCCINATORE CASING MDS/B						
16	11031342	996530073051	BLK UPPER CAPPUCCINAT.LID S/SCR.MDS/B						
17	17001848	996530073065	BLACK HOT WATER DISPENSER MDS/B ASSY.						
18	17001807	996530073081	BLACK CAPPUCCINATORE MDS/B ASSY.						
19	17001886	996530073086	BLK LOWER MILK INTAKE TUBE SUPPORT MDS/B						
20	17001256	996530073085	BLACK LOWER MILK INTAKE TUBE MDS/B						
21	11031355	996530073071	CHROM.BUSH CAPPUC.OUTPUT MILK CONN.MDS/B						



ENERGICA PURE

TABLE 5/8



HD8851/01



Cod.10004194

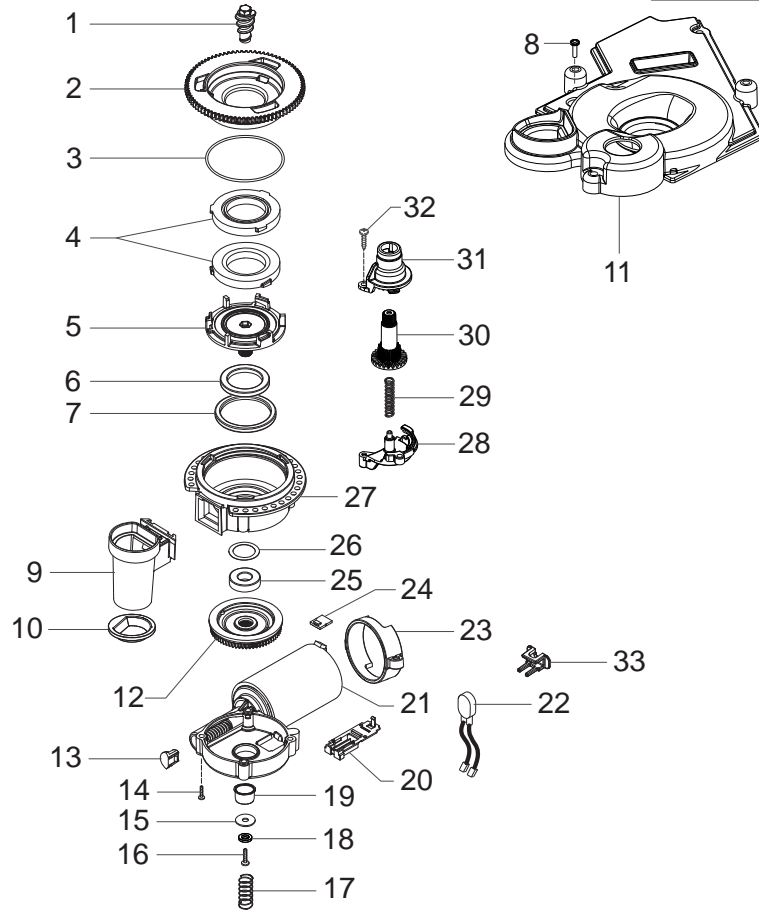
POS	CODE	12NC	DESCRIPTION	NOTE	POS	CODE	12NC	DESCRIPTION	NOTE
01	11023066	996530007572	BLACK COMPONENTS SUPPORT MDS		38	11023054	996530007565	BLACK DOOR TUBES COUPLING PROTECTION MDS	
02	11023074	9965300067449	BLACK SOCKET-SWITCH SUPPORT MDS		39	11005096	996530002744	SS FORK SPRING FOR BLOWDOWN VALVE P0049	
03	12000280	996530007788	CUP SOCKET EN 60320 C 13		40	11023053	996530007564	BLACK DOOR TUBES COUPLING CONNECTOR MDS	
04	NE03.038	996530058836	BIPOLAR SWITCH FUSIT C1250AR		41	11023048	996530007561	BLACK EV CONNECTOR INSERT MDS	
05	12000450	996530007819	SCREW TCBR TORX 10 3,5X12 PLAST.ZN-N		42	11013789	996530006858	BLACK EV CONNECTOR SEAL MYB9	
06	11023070	996530007574	STEEL STEAM TUBOL.BOILER SUPPORT MDS		43	11013788	996530006857	BLACK EV CONNECTOR INSERT MYB9	
07	12001595	996530067498	TRANSP/WHITE ASPIRATION FILTER MDS		44	9011.144	996530048885	SS FORK FOR TUBE D=4	
08	17000226	996530067501	BLK HORIZONTAL MOUNTING PLATE INSERT MDS		45	11027572	996530072695	L-F/BRASS CONNECTOR 1/8" FOR TUBE D=4	
09	124390520	996530011326	BRASS BENT FASTON 45° 6,3X0,8		46	11024038	996530067667	BRASS 2WAY EV 21JN1RRV20-XT+LBV05024CU	
10	128310402	996530012341	GALV.WASHER UNI 8842 A4		47	17001269	996530070397	L-F/BRASS 90°CONNECT.FOR FAUCET EV.NPR/T	
11	JS01.022	996530057357	SILICONE TUBE 5X10 60SH	IN ROLL	48	140328059	996530013564	OR 2015 SILICONE PTFE/FDA	
12	147920150	996530017348	90° INLET PUMP CONNECTOR		49	12000620	996530007856	OR ORM 0130-20 EPDM	
13	12000140	996530007753	ULKA PUMP EP5/S GW	230V-50HZ	50	17000408	996530009606	BLACK STEAM BLOWDOWN CONDENSER MDS ASSY.	
14	11022885	996530007477	2POLES CONNECTOR COFFEE PUMP MDS UL		51	184320200	996530025907	SPRING HOSE CLAMP D=9,5MM	
15	11022857	996530007468	BLACK PUMP SUPPORT GMYB						
16	140321961	996530013471	O-RING 2031 TERMOIL		11031216	996530073077	BLOWDOWN VALVE MDS/B ASSY. WITH PART. N°30-33-37-39-49	230V	
17	11001054	996530000624	BLK PUMP OUTLET 90°CONNECTOR P0049/B						
18	NV99.099	996530059843	TURBINE D=1,2 932-8521/00 ASSY.		11031208	996530073082	HP/SLIM TUB.BOILER MDS/B ASSY WITH PART. N°9-10-20-21-22-23-24	230V-1900W	
19	11022925	996530007494	6POLES CONNECTOR FLOWMETER MDS UL						
20	17000346	996530068751	HP/SLIM TUB.BOILER ASSY.	230V-1900W					
21	11001751	996530000997	TUB.BOILER V3 UPPER THERM.FIXING SPRING						
22	129573402	996530012923	SCREW TAPT M4X10 DIN 7985 GALV						
23	190800100	996530026997	TEMPERATURE SENSOR NTC UL L=280MM						
24	12001033	996530007973	THERMOSTAT ONE SHOT 190°						
25	12000892	996530007947	OETIKER CLAMP D=9,5 16700004						
26	16000380	996530009505	5X8,9 SILICONE TUBE	IN ROLL					
27	17001900	996530073079	STEEL COFFEE TUBOL.BOILER SUPPORT V2 MDS						
28	11023282	996530007608	BLACK SLIM TUB.BOILERS SUPPORT MYB9						
29	12001369	996530008039	SCREW TSP TORX 10 5X35 PLAST.SS						
30	20000591	996530009861	BLK BLOWDOWN VALVE CASING KIT P0049						
31	11023914	996530067495	BLACK STEEL DIFFUSER VALVE SUPPORT MDS						
32	227873100	996530030305	TEFLON TUBE 2X4 L=420 MM ASSY						
33	11007565	996530004421	BLACK BLOWDOWN VALVE CONNECTOR V2 P0049						
34	11012206	996530006317	BLACK BLOWDOWN VALVE SUPPORT MYB9						
35	129913902	996530013164	SCREW TCB TORX 10 3X12 PLAST.ZN-B						
36	11013711	996530006834	BLACK VALVE FIXING FLANGE MYB9						
37	20000590	996530009859	BLOWDOWN VALVE COIL P0049 ASSY.	230V					



ENERGICA PURE

TABLE 6/8





HD8851/01



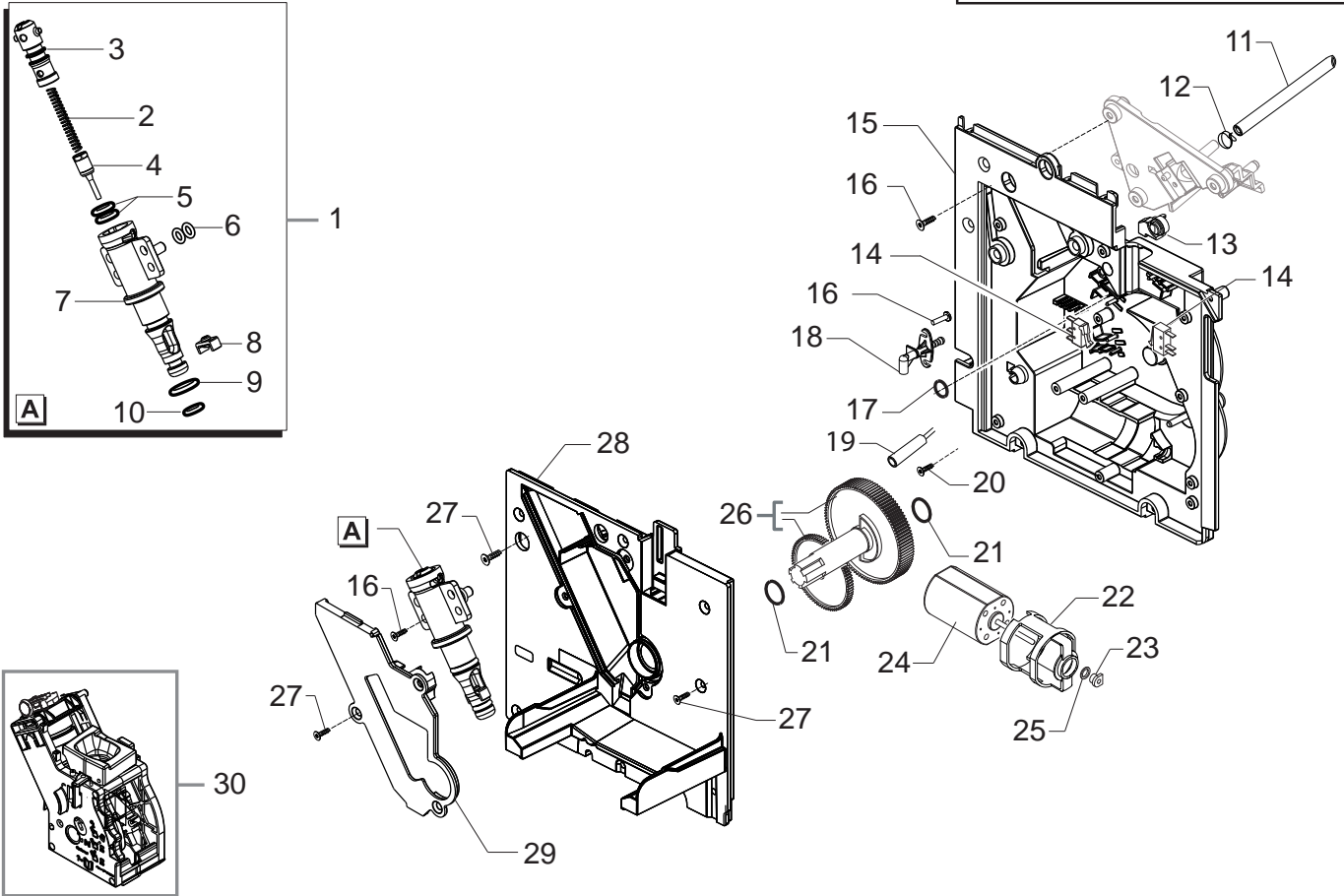
Cod.10004194

POS	CODE	12NC	DESCRIPTION	NOTE	POS	CODE	12NC	DESCRIPTION	NOTE
01	11011205	996530005991	TEA ZAMA INCREASE SCREW GRINDER						
02	149198250	996530017951	BLK UPPER COFFEEGRINDER GRINDER SUPPORT						
03	140328960	996530013577	OR ORM 0530-15 NBR FDA						
04	146520100	996530016342	BAKED CLAY GRINDER 48X28						
05	149198350	996530017952	BLK LOWER COFFEEGRINDER GRINDER SUPPORT						
06	123030300	996530011183	AXIAL BEARING EKKO 342.35252						
07	140360500	996530013597	FELT RING 45,4X39,4X4						
08	12000450	996530007819	SCREW TCB TORX 10 3,5X12 PLAST.ZN-N						
09	11026355	996530068049	BLK GROUND COFF.OULET CONVEYOR V4 ASSY.						
10	11030459	996530072511	GRY GROUND COFFEE CONT.LOWER SEAL SMART1						
11	11023063	996530007569	COFFEE GRINDER SOUNDPROOFING COVER MDS						
12	226000300	996530029609	GEAR SX Z=38 FOR GRINDER MOTION ASSY.						
13	149214800	996530018139	MC V3 MOD=1,25 WORM SCREW CENTRING CAP						
14	129661702	996530012992	SCREW TCB TORX 3,5X30 PLAST.ZN-B						
15	128381902	996530012375	STEEL FLAT WASHER DI=4,3 DE=14 SP=1,5						
16	129574802	996530012928	SCREW TCB TORX 20 M4X30 ZN-B						
17	11000597	996530000376	COFFEE GRINDER SUPPORT SPRING P124						
18	128310402	996530012341	GALV.WASHER UNI 8842 A4						
19	11002873	996530001389	INSULATOR BUSH FOR GRINDER MOTOR P124						
20	149199050	996530017963	BLK SENSOR SUPPORT FOR COFGRINDER MOTOR						
21	11000513	996530000317	MOTOR COFFEEGRINDER V3.1 ASSY.	230V					
22	17800040	996530009633	2POLES CONNECTOR GRINDER MOTOR MDS UL						
23	11000194	996530000115	BLACK COFFEEGRINDER MOTOR SUPPORT P124						
24	181540900	996530022784	ELECTR.BOARD WITH SENSOR HAL506 SF-K						
25	123030200	996530011182	RADIAL BEARING 61900.2RS1						
26	128381800	996530012374	STEEL CRINKLE WASHER 21,8X14X0,25						
27	142905450	996530015258	BLK UPPER BODY WITH COFFEE GROUND OUTLET						
28	11002613	996530001314	LOWER COFFEEGRINDER GEAR SUPPORT P124						
29	11002572	996530001308	COFFEEGRINDER REGULATION SPRING P124						
30	11003784	996530001907	COFFEE GRINDING ADJUSTMENT GEAR P0049						
31	11002508	996530001296	UPPER COFFEEGRINDER GEAR SUPPORT P124						
32	129914002	996530013165	SCREW TCB TORX 10 3,5X16 PLAST.ZN-B						
33	17001921	996530072477	BLK WIRING FIX INSERT FOR GRINDER BOARD						
	11023062	996530067517	GEN.COFFEE GRINDER MOTOR MDS ASSY.	230V					



ENERGICA PURE

TABLE 7/8



HD8851/01



Cod.10004194

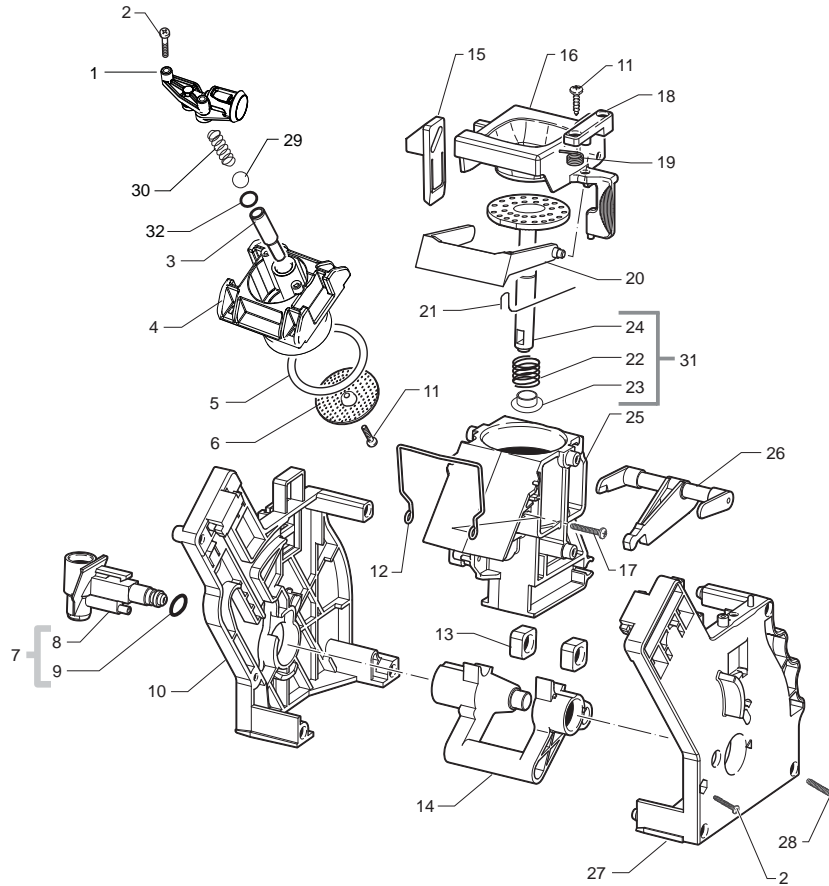
POS	CODE	12NC	DESCRIPTION	NOTE	POS	CODE	12NC	DESCRIPTION	NOTE
01	11005060	996530002717	PIN V2 FOR BOILER P119 ASSY.						
02	9011.132	996530048874	SS SPRING FOR PIN						
03	11003820	996530001932	BLACK CAP V2 FOR PIN BOILER P119						
04	11009019	996530005183	TEA/BRASS PISTON L=20,9 ASSY.						
05	140324459	996530013508	OR ORM 0060-20 SILICONE PTFE/FDA						
06	140328059	996530013564	OR 2015 SILICONE PTFE/FDA						
07	11003801	996530001926	NAT.PIN V2 FOR BOILER P119						
08	11005099	996530002747	NATURAL CURSOR V2 FOR BOILER P119						
09	NM01.035	9965300059399	OR ORM 0090-20 SILICONE						
10	NM01.057	9965300059419	OR ORM 0050-20 IN SILICONE						
11	JS01.022	9965300057357	SILICONE TUBE 5X10 60SH	IN ROLL					
12	NV99.087	9965300059836	BAND D=11/11,6						
13	11013514	996530006796	BLACK MOUNTING PLATE COVER SEAL MYB9						
14	NE05.038	9965300058869	MICROSWITCH SAIA XCG5-81-P5						
15	11023064	996530007571	BLACK MOUNTING PLATE WITH PIN MDS ASSY.						
16	12000450	996530007819	SCREW TCBR TORX 10 3,5X12 PLAST.ZN-N						
17	140325462	996530013526	OR ORM 0070-20 SILICONE						
18	11023055	996530007566	BLACK STEAM BLOWDOWN 90° CONNECTOR MDS						
19	11003661	996530001819	REED SENSOR MK3-1A66-BV16451						
20	129913902	996530013164	SCREW TCB TORX 10 3X12 PLAST.ZN-B						
21	9161.132	9965300050569	MYLAR WASHER FOR RATIOMOTOR						
22	9121.044	996530049896	ANTIVIBRATION FOR MOTOR						
23	9121.046	996530049898	BRONZE SINTERED BUSH FOR MOTOR RATIOMOT.						
24	11005214	996530002796	MOTOR FOR RATIOMOTOR P124 ASSY.						
25	148380200	996530017424	BAKELIZZATE WASHER D=5,5						
26	20000900	996530009913	SPARES KIT GEARS FOR RATIOMOTOR V2						
27	12001860	996530072411	SCREW TSP TORX 10 3,5X14 PLAST.SS						
28	17000049	996530068009	BLACK COVER MOUNTING PLATE MDS						
29	142856550	996530015064	BLACK COVER FOR BOILER VAIN P119						
30	11031249	996530073098	BLACK BREW UNIT 8GR.8BAR MDS/B (SEE EXPL. CODE E90079 NEXT PAGE)						



ENERGICA PURE

TABLE 8/8





HD8851



Cod. 11031249

POS	CODE	12NC	DESCRIPTION	NOTE	POS	CODE	12NC	DESCRIPTION	NOTE
01	11009362	996530005415	BLK COF.OUTLET SLEEVE BREW UNIT S0053 AS						
02	12000550	996530007838	SCREW TCB TORX 10 3X25 PLAST.SS						
03	11009276	996530005372	BLK COUNTER PISTON TUBE BREW UNIT S0053						
04	11001840	996530001046	BLACK COUNTER PISTON BREW UNIT 8GR.P124						
05	NM01.044	996530059406	OR ORM 0320-40 SILICONE PTFE/FDA						
06	9161.268	996530050709	PERCOLATOR DE=35,8 ELFO						
07	20000440	996530009825	BLACK WATER INLET SLEEVE BREW UNIT ASSY.						
08	9161.064.050	996530050488	BLACK WATER INLET SLEEVE BREW UNIT ROYAL						
09	NM02.007	996530059441	OR 2025 IN TERMOIL						
10	9161.375.050	996530050832	BLACK BREW UNIT REAR PLATE SMART						
11	12000895	996530007951	SCREW TSP TORX 10 3X10 PLAST.SS						
12	11001556	996530000898	SS BREW UNIT SPRING H=49 SMART						
13	9161.094.050	996530050539	BLACK DRILLED BLOCK BREW UNIT						
14	9161.066.050	996530050492	BLACK BREW UNIT ELBOW SHAFT M5000						
15	9161.373.050	996530050827	BLACK BREW UNIT COUPLING PLATE SMART						
16	149261350	996530018241	BLACK HOPPER DOSER BREW UNIT SMART1						
17	129912521	996530013148	SCREW TCBR TORX 10 3,5X14 PLAST.SS						
18	9161.374.050	996530050829	BLK BREWUNIT HOPPER BLOCKING PLATE SMART						
19	9161.378	996530050838	SS HOPPER SPRING FOR BREW UNIT SMART						
20	11004161	996530002096	BLACK SCRAPER FOR BREW UNIT M5000						
21	9161.046	996530050455	SS SCRAPER SPRING FOR BREW UNIT						
22	9161.198	996530050627	SS.8GR.BREW UNIT PISTON SPRING						
23	9161.191	996530050618	WHITE 8GR.-12GR.BREW UNIT PISTON BUSH						
24	11003077	996530001451	BLK BREW UNIT INTEGRAL PISTON 8GR.ASSY.						
25	11003075	996530001448	BLACK COFFEE CONTAINER BREW UNIT P124						
26	11003078	996530001452	BLACK CONNECTING ROD BREW UNIT 8GR.						
27	11005920	996530003228	BLACK BREW UNIT FRONT PLATE S/SCR.SMART						
28	12000897	996530007953	SCREW TCB TORX 10 3,5X20 PLAST.SS						
29	9991.168	996530051874	GLASS SPHERE D.5 MM						
30	9161.222	996530050657	SS.CONICAL SPRING						
31	11023086	996530007577	BLK 8GR.BREW UNIT NTEGR.PISTON GEN.ASSY.						
32	140328761	996530013575	OR ORM 0060-15 TERMOIL						
	11031249	996530005366	BLACK BREW UNIT 8GR.8BAR S0053						



BLACK BREW UNIT 8 GR. 8 BAR MDS/B

TABLE 1/1