

HD8852/01/09

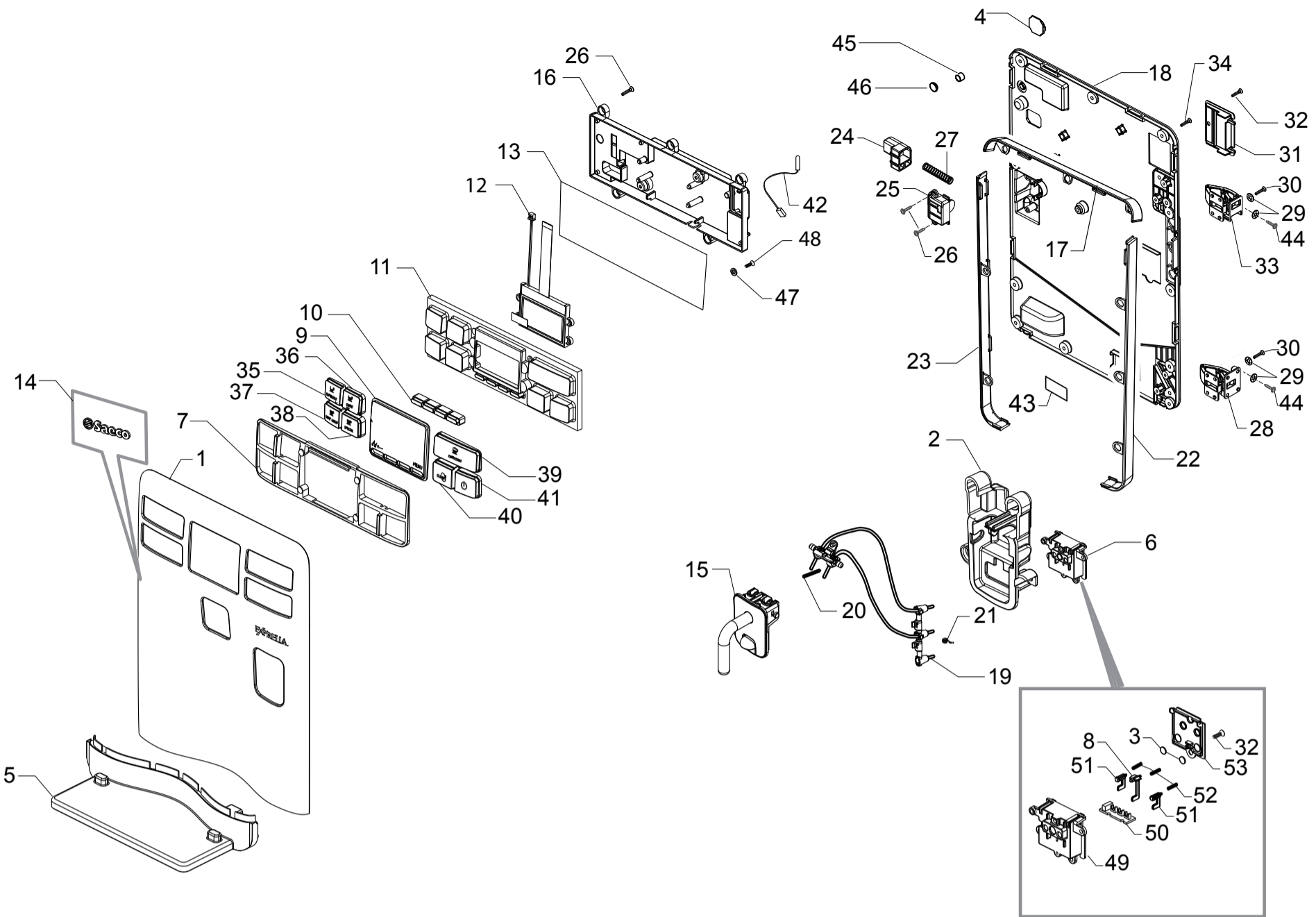


Cod.10004217
Cod.10004235

POS	CODE	12NC	DESCRIPTION	NOTE	POS	CODE	12NC	DESCRIPTION	NOTE
01	15003637	996530072774	MANUAL SAE HD8852 MDS/P IT		15	11030825	996530072633	MATT/BLACK LEFT SIDE PANEL MDS/P	
	15003638	996530072768	MANUAL SAE HD8852 MDS/P GB		16	11023035	996530007549	SS SPRING FOR WATER CONTAINER LEVER MDS	
	15003639	996530072751	MANUAL SAE HD8852 MDS/P DE		17	11022425	996530007364	YELLOW LEVER FOR WATER CONTAIN.S/SC.MYB9	
	15003640	996530072715	MANUAL SAE HD8852 MDS/P FR		18	11030828	996530072577	MATT/BLACK BEAN CONTAINER DOOR MDS/P	
	15003641	996530072712	MANUAL SAE HD8852 MDS/P ES		19	12001330	996530008026	TRANSP.ROUND ADHESIVE FOOT SJ-5382	
	15003642	996530072705	MANUAL SAE HD8852 MDS/P PT		20	17000113	996530067474	BLACK COVER CASING V2 MDS	
	15003643	996530072728	MANUAL SAE HD8852 MDS/P NL		21	11022950	996530007507	BLACK GROUND COFFEE HOPPER PLATE MDS	
	15003644	996530072725	MANUAL SAE HD8852 MDS/P SV		22	11023060	996530007567	BLACK HORIZONTAL MOUNTING PLATE MDS	
	15003645	996530072719	MANUAL SAE HD8852 MDS/P NO		23	11022938	996530067532	BLACK STEEL CASING MDS ASSY.	
	15003655	996530072708	MANUAL SAE HD8852 MDS/P SL		24	11003232	996530001522	AS.CPU+SW WATER LEVEL SENSOR V2	
	15003653	996530072709	MANUAL SAE HD8852 MDS/P SK		25	11024263	996530067506	PWR BOARD MDS 230V	
	15003654	996530072713	MANUAL SAE HD8852 MDS/P UA		26	11023061	996530007568	BLACK PWR BOARD COVER MDS	
	15003646	996530072716	MANUAL SAE HD8852 MDS/P FI		27	129914002	996530013165	SCREW TCB TORX 10 3,5X16 PLAST.ZN-B	
	15003658	996530072717	MANUAL SAE HD8852 MDS/P BG		28	11022956	996530007512	BLACK REAR PANEL WHIT LOGO SAECO MDS	
	15003656	996530072724	MANUAL SAE HD8852 MDS/P RO		29	11030826	996530072549	MATT/BLACK RIGHT SIDE PANEL MDS/P	
	15003657	996530072726	MANUAL SAE HD8852 MDS/P CR		30	11021829	996530007156	BLACK/TRANSP.RIGID FOOT MYB9	
	15003648	996530072733	MANUAL SAE HD8852 MDS/P GR		31	11021769	996530007136	BLACK RIGID FOOT FIXING PIN MYB9	
	15003659	996530072735	MANUAL SAE HD8852 MDS/P SR		32	11023034	996530007548	BLACK DUMP BOX MDS ASSY.	
	15003649	996530072741	MANUAL SAE HD8852 MDS/P PL		33	11023032	996530007547	BLK DRIP TRAY COFF.BREW UNIT COVER MDS	
	15003647	996530072745	MANUAL SAE HD8852 MDS/P DA		34	11023031	996530007546	BLACK COFFEE UNIT DRIP TRAY MDS	
	15003651	996530072754	MANUAL SAE HD8852 MDS/P HU		35	11023166	996530007589	40POLES FLAT CABLE BOARDS LINK MDS UL	
	15003652	996530072758	MANUAL SAE HD8852 MDS/P CS		36	11013806	996530006864	BLACK FLAT-CABLE PROTECTION MYB9	
	15003650	996530072766	MANUAL SAE HD8852 MDS/P RU		37	17000064	996530067437	BLK CAPACIT.SENSOR DEADLOCK INSERT XSM	
02	146680850	996530016529	BLACK COFFEE MEASURE SMART		38	11022971	996530007521	BLACK SCREW HOLE COVER CAP MDS	
03	127390100	996530011867	BRUSH FOR CLEANING		39	17000363	996530009605	TRANSP.INFRAREDS PLATE MDS	
04	11028379	996530070318	PSA KLUBER TRIBOSTAR SIL 2 TUBE 5GR.		40	11021976	996530007207	STEEL PLATE FOR DOOR CLOSURE MYB9	
05	21002050	996530071872	ACC PSA BRITA WATER FILTER 1UNIT		41	129913202	996530013156	SCREW TCB TORX 10 3X8 PLAST.ZN-B	
06	0301.961	996530039604	STICKER FOR WATER HARDNESS TEST		42	9161.111	996530050555	MAGNET FOR FLOAT SUPERAUT.	
07	183911050	996530025808	BLACK POWER CABLE SCHUKO L=1200		43	186401220	996530026185	BENT TABS 6,3 D=3,3 <=90° 4001851000	
08	13001097	996530008404	BAND FOR LIFTING L=1800MM H=300MM		44	11006740	996530003793	BRONZE SPRING FOR FRONT CASING G0053	
09	20006892	996530067472	KIT PS-E INSERT FOR BOX MDS		45	11030755	996530072605	TXT/BLK UPPER REAR FRAME INSERT MDS	
10	17000111	996530067464	BLACK COVER CONDUCTING SEAL MDS		46	11030757	996530072596	TXT/BLK LEFT LATERAL REAR FRAME INS.MDS	
11	13001623	996530072707	DISPLAY BOX MDS/P SAE ENERGICA FOCUS WE		47	11030756	996530072619	TXT/BLK RIGHT LATERAL REAR FRAME INS.MDS	
	13001509	996530072757	DISPLAY BOX MDS/P SAE ENERGICA FOCUS CEE						
12	12000450	996530007819	SCREW TCB TORX 10 3,5X12 PLAST.ZN-N						
13	11030840	996530072588	MATT/BLK GROUND CONTAIN.DOOR S/SCR.MDS/P						
14	11030827	996530072591	MATT/BLACK WATER CONTAINER DOOR MDS/P						



ENERGICA FOCUS



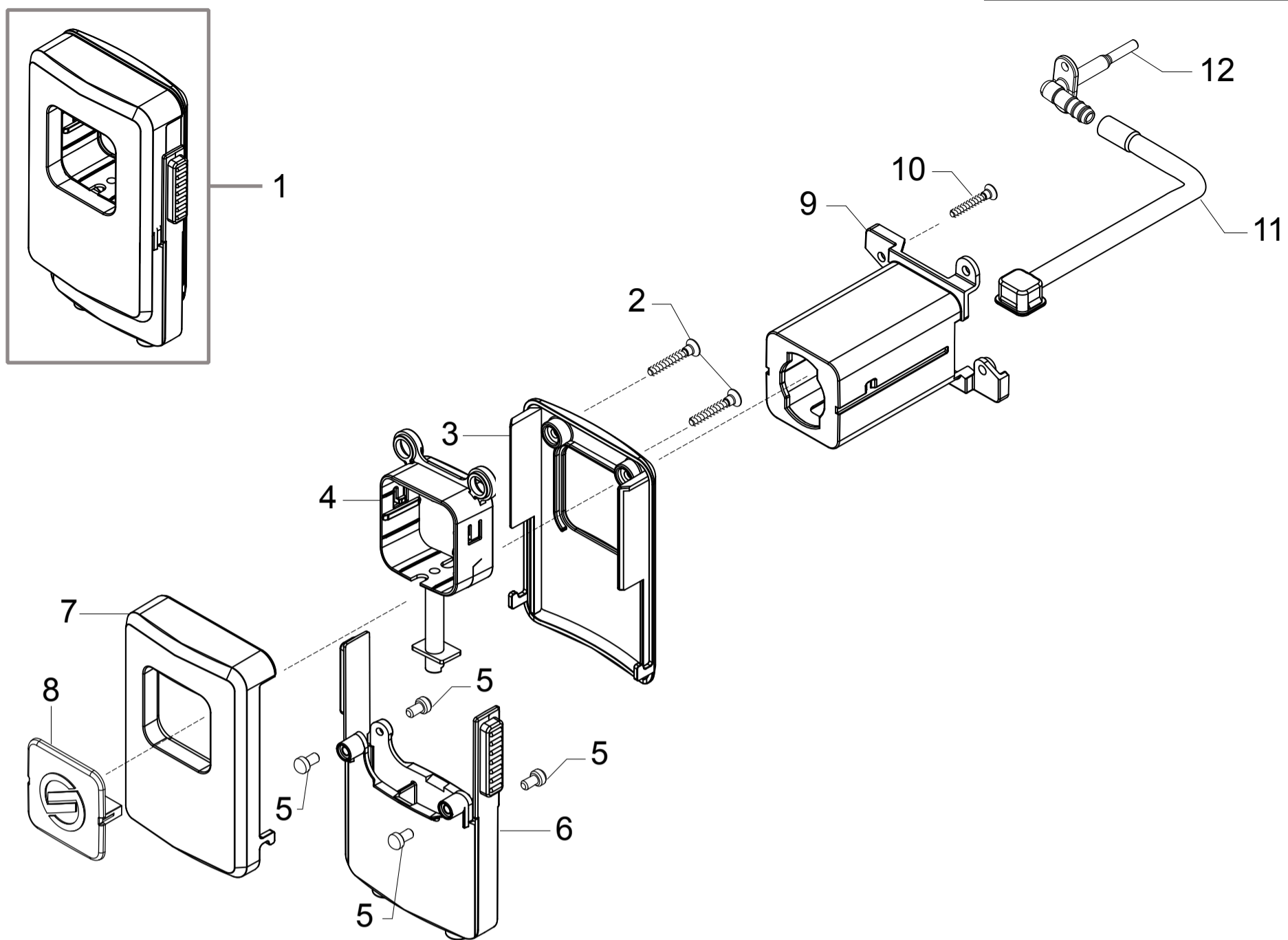
HD8852/01/09



Cod.10004217
Cod.10004235

POS	CODE	12NC	DESCRIPTION	NOTE	POS	CODE	12NC	DESCRIPTION	NOTE
01	11029605	996530072723	SB/SS FRONTAL PANEL S/SCR.MDS/P ASSY.		38	11030886	996530072743	MATT/BLK SPECIAL BUTTON S/SCR.MDS	
02	11023433	996530007629	BLACK FRONTAL PANEL INSERT MDS		39	11030880	996530072747	MATT/BLK CAPPUCCINO BUTTON S/SCR.MDS	
03	12001330	996530008026	TRANSP.ROUND ADHESIVE FOOT SJ-5382		40	11030882	996530072732	MATT/BLK CLEAN BUTTON S/SCR.MDS	
04	17000363	996530009605	TRANSP.INFRAREDS PLATE MDS		41	11030889	996530072749	MATT/BLK STAND-BY BUTTON S/SCR.MDS ASSY.	
05	11029324	996530070524	BLACK DRIP TRAY SUPPORT V2 MDS		42	11003889	996530001955	2POLES CONNECT.SENSOR REED DOOR P0049 UL	
06	11022986	996530067487	BLK CARAFFE BOARD SUPPORT GEN.MDS ASSY.		43	11003232	996530001522	AS.CPU+SW WATER LEVEL SENSOR V2	
07	11029594	996530072748	BLACK TOUCH PANEL SUPPORT MDS ASSY.		44	129823821	996530013079	TCB SCREW M4X8 UNI 7687 SS	
08	17000045	996530009578	BLK PRESENCE CARAFE MICRO INSERT V2 MYB9		45	9161.111	996530050555	MAGNET FOR FLOAT SUPERAUT.	
09	17000989	996530067458	TRANSP.GLASS FOR DISPLAY S/SCR.MDS		46	11014016	996530006968	SS.INSERT FOR MAGNET MYB9	
10	17000325	996530067462	BLK DISPLAY FUNC.BUTTONS COVER S/SCR.MDS		47	128310321	996530012339	WASHER UNI 8842 A3 SS	
11	11023018	996530007538	TRANSP.TOUCH PANEL MDS		48	129912902	996530013153	SCREW TCB TORX 10 AB 2,9X6,5 SHEET ZN-B	
12	12001490	996530067494	GRAPHIC DISPLAY 128 X 64 MDS		49	11023238	996530007602	AS.SUPP.SCHEDA CARAF.V4 MYB9 NER.	
13	11030179	996530072721	CPU+SW MDS/P ASSY.		50	11013368	996530006754	MILKCARAFFE BOARD V2 MYB9	
14	11011406	996530006054	ADHES.SILVER PLATE LOGO SAECO P0057		51	17000002	996530009555	BLACK CARAFE MICRO INSERT V2 MYB9	
15	17001519	996530072756	BLACK HOT WATER DISPENSER MDS/P ASSY.		52	17000019	996530009566	SS CARAFE MICRO INSERT SPRING MYB9	
16	11022983	996530007527	BLACK DISPLAY SUPPORT MDS		53	11013328	996530006745	BLACK CARAFFE BOARD COVER MYB9	
17	11030752	996530072763	TXT/BLACK.UPPER FRONT FRAME INSERT MDS						
18	11030578	996530072409	BLK INSIDE COVER FRONT PANEL V3 MDS						
19	11030876	996530072771	WHT PREFORM.TEFLON TUBES SUPP.MDS/P ASSY						
20	17000006	996530009559	TWO WAY TEFLON TUBES SUPPORT SPRING MYB9						
21	17000698	996530072574	STEEL TEFLON TUBES SUPPORT SPRING MDS						
22	11030753	996530072767	TXT/BLK RIGHT LATER.FRONT FRAME INS.MDS						
23	11030754	996530072769	TXT/BLK LEFT LATERAL FRONT FRAME INS.MDS						
24	11014215	996530007042	BLACK BUTTON FOR DOOR RELEASE MYB9						
25	11014218	996530007043	BLACK COVER BUTTON FOR DOOR RELEASE MYB9						
26	12000450	996530007819	SCREW TCB TORX 10 3,5X12 PLAST.ZN-N						
27	11021747	996530007128	SPRING FOR DOOR RELEASE BUTTON MYB9						
28	17000094	996530009581	DOOR LOWER HINGE V2 MYB9						
29	128310402	996530012341	GALV.WASHER UNI 8842 A4						
30	12001728	996530070321	SCREW TCB TORX 10 3,5X12 PLAST.SS						
31	17000048	996530067469	BLACK FLAT-CABLE COVER MDS						
32	12000895	996530007951	SCREW TSP TORX 10 3X10 PLAST.SS						
33	17000106	996530009584	DOOR UPPER HINGE V2 MYB9						
34	129912521	996530013148	SCREW TCB TORX 10 3,5X14 PLAST.SS						
35	11030884	996530072765	MATT/BLK ESPRESSO BUTTON S/SCR.MDS						
36	11030838	996530072772	MATT/BLK COFFEE BUTTON S/SCR.MDS						
37	11030835	996530072764	MATT/BLK LONG COFFEE BUTTON S/SCR.MDS						

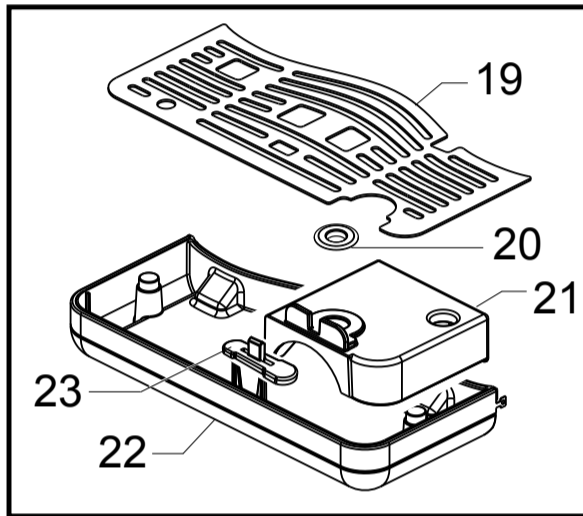
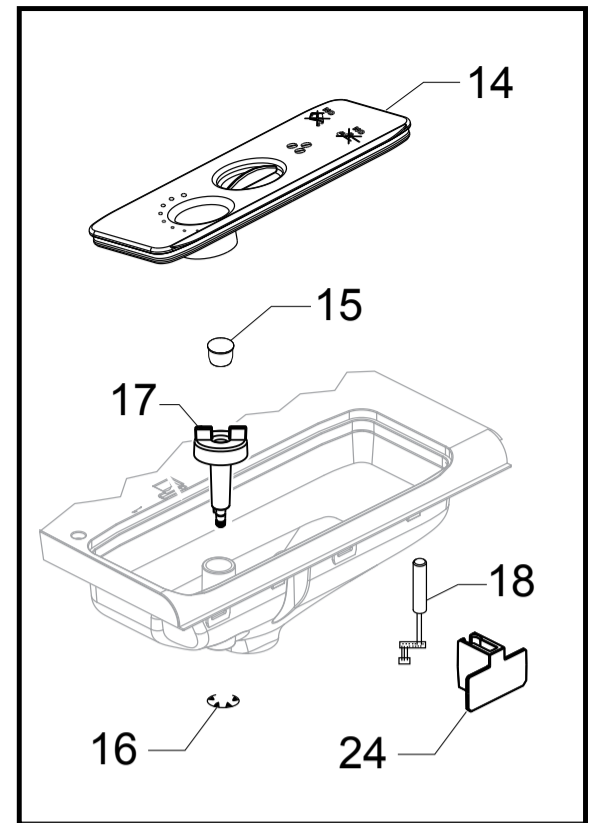
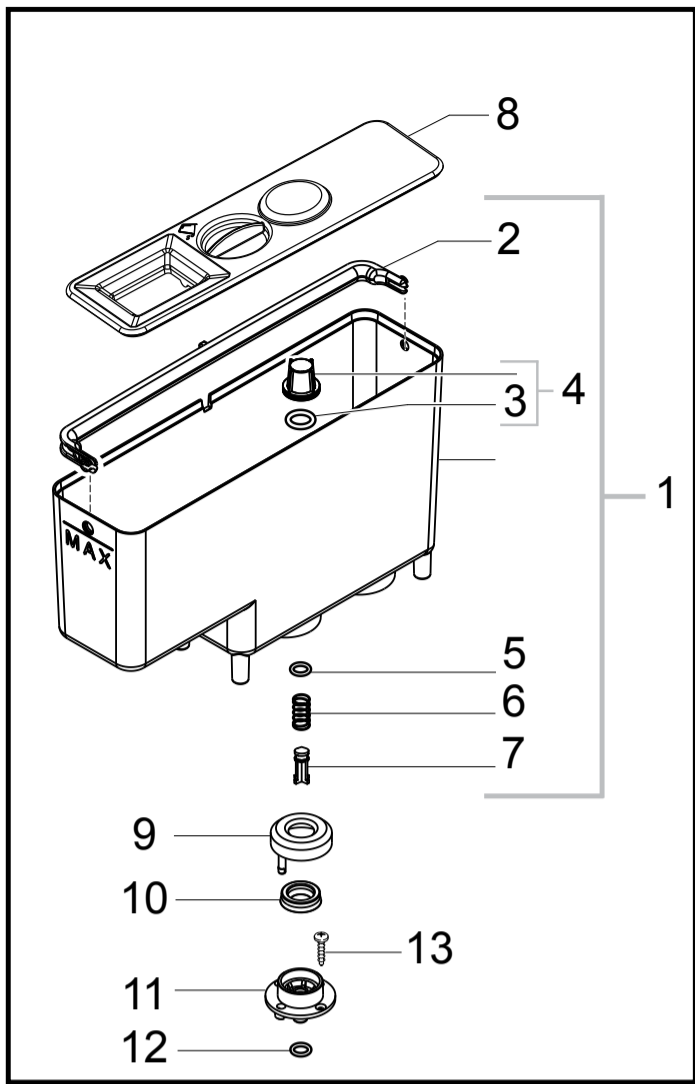




Saeco HD8852/01/09
INTERNATIONAL GROUP

CE Cod.10004217
Cod.10004235

POS	CODE	12NC	DESCRIPTION	NOTE	POS	CODE	12NC	DESCRIPTION	NOTE
01	11031150	996530072714	CHROM.COFFEE DISPENSER MDS/P ASSY. WITH PART. N°02 - 03 - 04 - 05 - 06 - 07						
02	12000450	996530007819	SCREW TCB TORX 10 3,5X12 PLAST.ZN-N						
03	11013001	996530006579	BLACK REAR COVER COFFEE DISPENSER MYB9						
04	17001420	996530072718	BLK COFFEE DISPENSER INNER BODY V2 MYB9						
05	11013085	996530006614	WHITE COFFEE DISPENSER SLIDER MYB9						
06	17001560	996530072722	BLK EXT.MOBILE PART COF.DISPENSER MDS/P						
07	11029584	996530072727	CHROM.FRONT COVER COFFEE DISPENSER MDS/P						
08	11029589	996530072738	BLK COFF.DISPENS.SUPP.CAP S/SCR.MDS/P						
09	11030074	996530072734	CHROM.COFFEE DISPENSER SUPPORT MDS/P						
10	12000897	996530007953	SCREW TCB TORX 10 3,5X20 PLAST.SS						
11	17001536	996530072744	BLACK COFFEE DISPENSER TUBE MDS/P						
12	11013364	996530006752	BLACK DISPENSER COFF.INLET CONNECT.MYB9						



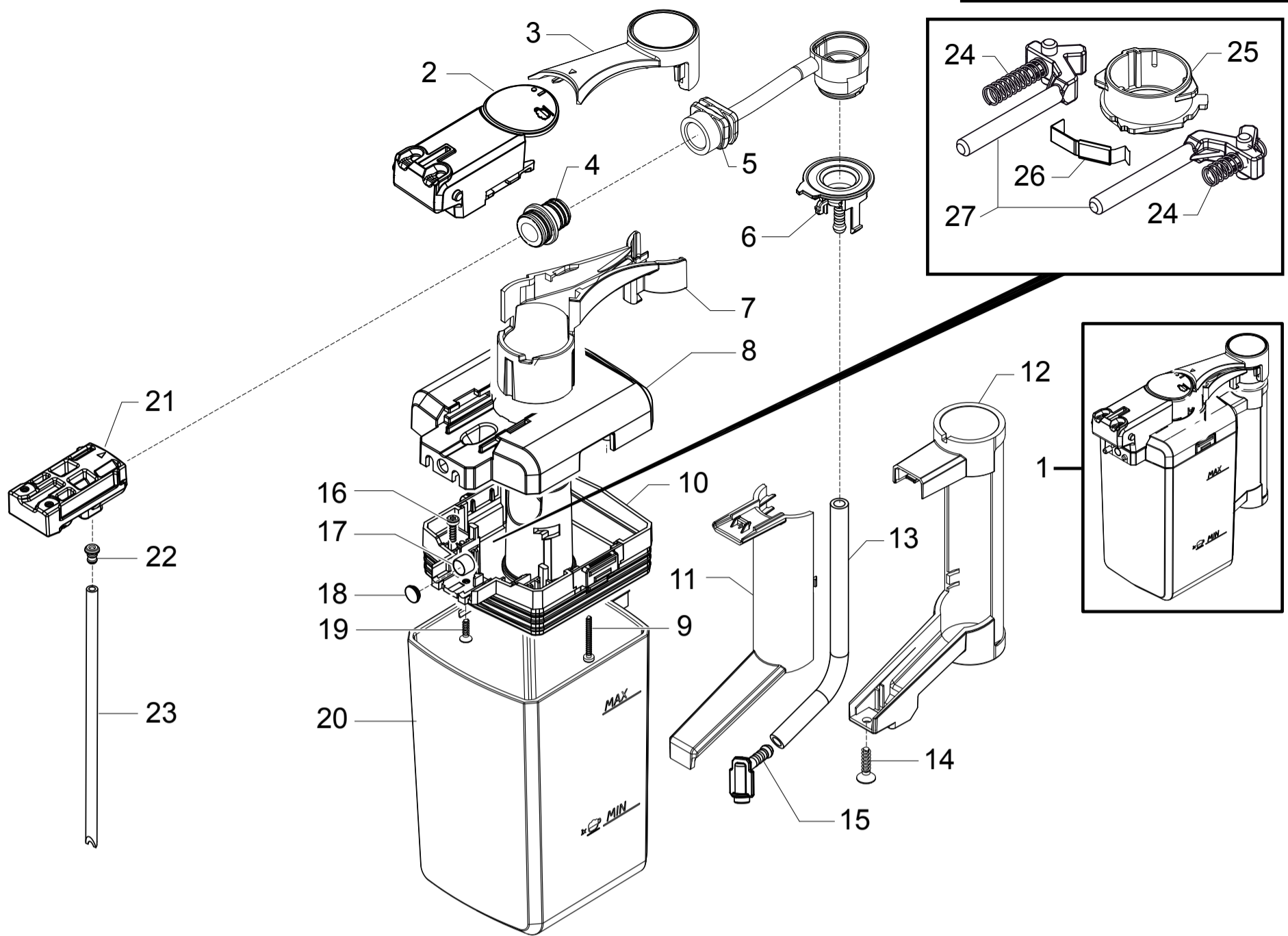
HD8852/01/09



Cod.10004217
Cod.10004235

POS	CODE	12NC	DESCRIPTION	NOTE	POS	CODE	12NC	DESCRIPTION	NOTE
01	11023037	996530007552	NAT/GREY WATER CONTAINER MDS ASSY.						
02	11023155	996530007587	BLACK WATER CONTAINER HANDLE MDS						
03	140328461	996530013571	OR ORM 0190-10 EPDM						
04	224640200	996530029115	WHITE WATER CONTAINER EXT.FILTER ASSY.	WITH PART.N°03					
05	140324362	996530013507	OR ORM 0060-30 SILICONE						
06	126764718	996530011626	SS WATER CONTAINER VALVE SPRING						
07	147660562	996530016894	GREY PISTON FOR WATER CONTAINER VALVE						
08	11023038	996530007553	NAT/GREY WATER CONTAINER LID MDS						
09	0701.031.150	996530044417	GREY WATER VALVE GACO DIM 14 SEAL COVER						
10	145842900	996530015823	NBR WATER CONT.VALVE GACO DIM14 SEAL						
11	0701.014.150	996530044404	GREY WATER VALVE GACO DIM 14 SEAL CONT.						
12	140320461	996530013446	OR ORM 0080-20 TERMOIL						
13	129535721	996530012898	SCREW TSP TORX 10 AB 3,5X9,5 SHEET SS						
14	11023044	996530007557	NAT/GRY BEAN COF.CONT.LID S/SCR.MDS ASSY						
15	149213059	996530018116	GREY CAP FOR KNOBS BEAN CONTAINER						
16	120350604	996530010768	SHAFT 6 UNI 7434						
17	11022951	996530007508	BLACK GRIND.ADJUSTMENT KNOB MDS						
18	11022924	996530007493	5POLES CONNECTOR MC SENSORS MDS UL						
19	11023025	996530007543	SS DRIP TRAY GRATE MDS						
20	17000147	996530066732	BLACK GRATE SEAL V3 MYB9/H-P						
21	11023030	996530007545	BLACK DRIP TRAY COVER MDS						
22	17001492	996530072594	BLACK DRIP TRAY MDS/P ASSY.						
23	17000001	996530009554	RED FLOAT FOR DRIP TRAY MDS						
24	17000204	996530067529	BLACK REED SENSOR SUPPORT MDS						





HD8852/01/09



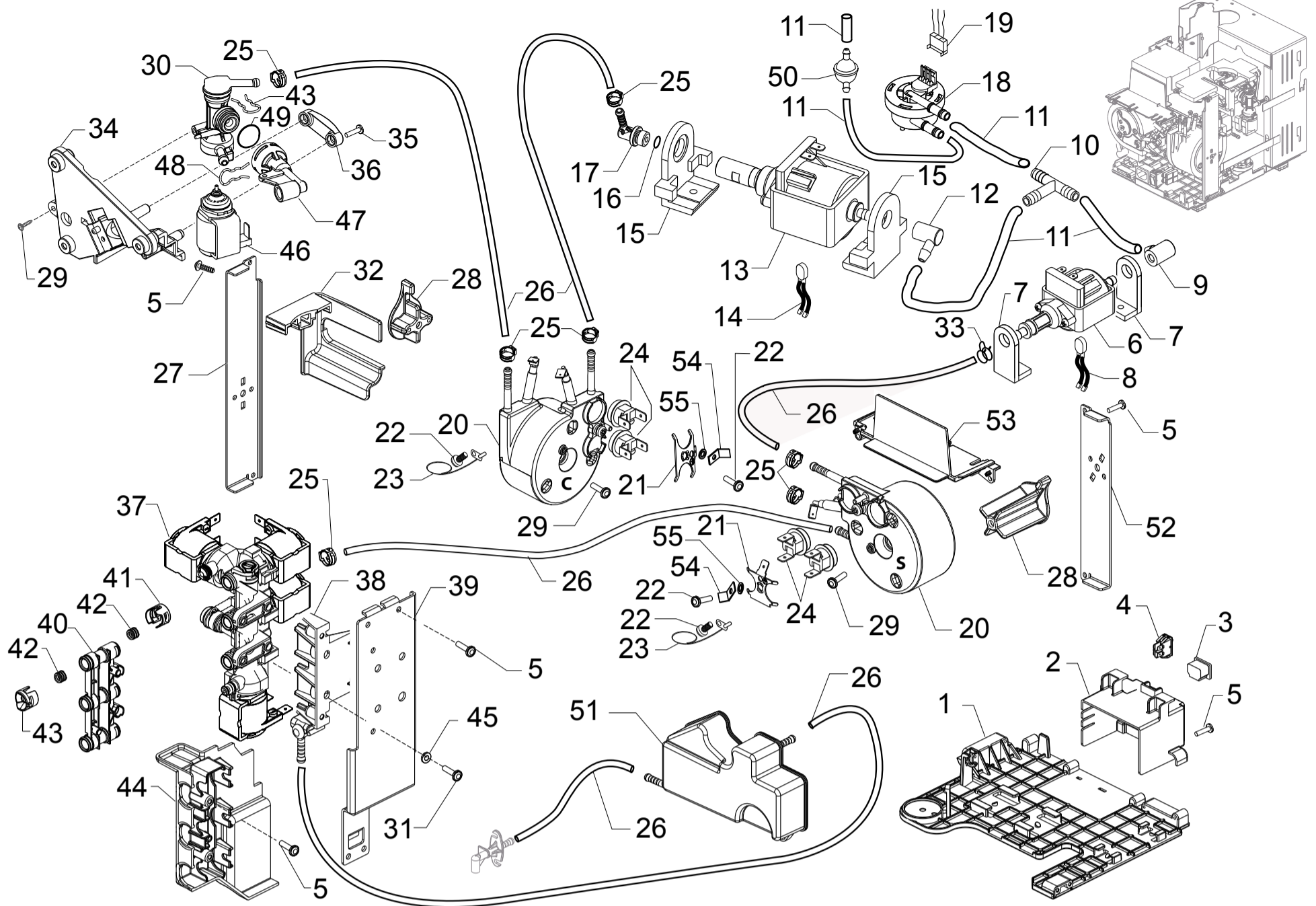
Cod.10004217
Cod.10004235

POS	CODE	12NC	DESCRIPTION	NOTE	POS	CODE	12NC	DESCRIPTION	NOTE
01	11030610	996530072731	TRANSP-TXO/BLACK GEN.CARAFE MDS/P ASSY.						
02	11030113	996530072602	TXO/BLK CARAF.CAPP.COV.V2 S/SC.MYB9 ASSY						
03	11029717	996530072611	TXO/BLK CARAF.UPPER DISP.SUPP.MDSE ASSY.						
04	11012812	996530006527	VENTURI TUBE FOR CAPPUCCINATORE MYB9						
05	17001567	996530072597	BLACK CARAFE MILK DISPENSER TUBE MDSE						
06	17001564	996530072547	BLACK UPPER TUBE CARAFE CONNECT.MDSE						
07	11029458	996530072634	TXO/BLK CARAFE LOWER DISPENSER SUPP.MDSE						
08	11030950	996530072575	MATT/BLACK UPPER COVER PART CARAFE MYB9						
09	12000550	996530007838	SCREW TCB TORX 10 3X25 PLAST.SS						
10	11021893	996530007192	BLACK LOWER COVER PART CARAFE MYB9 ASSY.						
11	11029472	996530072555	TXO/BLK CARAFE REAR PART HANDLE MDSE						
12	11030115	996530072773	TXO/BLK CARAFE FRONT PART HANDLE MDS/P						
13	149360200	996530018269	SILICONE TUBE 5X8 70SR	IN ROLL					
14	129911721	996530013137	SCREW TSP TORX 4X16 PLAST STEEL						
15	11013164	996530006669	BLACK LOWER TUBE CARAFE CONNECT.MYB9						
16	129910921	996530013128	SCREW TCB TORX 10 3X10 SS						
17	9161.111	996530050555	MAGNET FOR FLOAT SUPERAUT.						
18	11014016	996530006968	SS.INSERT FOR MAGNET MYB9						
19	12000895	996530007951	SCREW TSP TORX 10 3X10 PLAST.SS						
20	11024104	996530007705	TRANSP.CARAFE V3 S/SCREEN MYB9						
21	17000004	996530009557	BLK CARAFE CAPPUCCIN.CASING W/CAPS MYB9						
22	17001076	996530072552	GREY MILK TUBE CONNECTOR MDSE						
23	11012814	996530067584	SILICONE TUBE 3,5X6 L=140 MM						
24	11013765	996530006849	STEEL SPRING FOR CARAFE LEVER MYB9						
25	17001728	996530072607	BLACK CAM FOR CARAFE LEVERS MDSE						
26	11013832	996530006873	CARAFE SPRING WITH INSERT MYB9 ASSY.						
27	17000131	996530067459	BLACK LEVER FOR CARAFE CAM V3 MYB9						



ENERGICA FOCUS

TABLE 5/8



HD8852/01/09



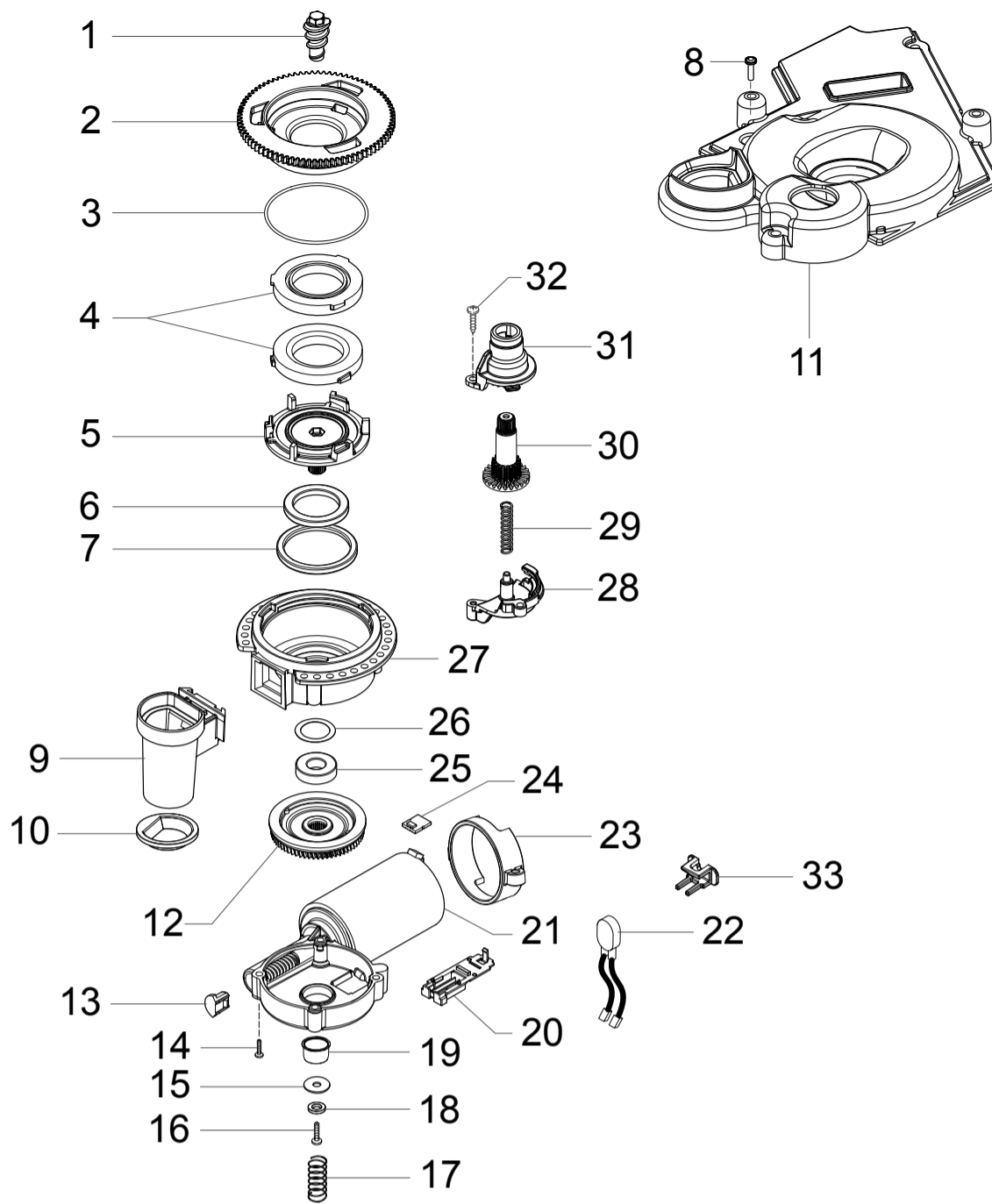
Cod.10004217
Cod.10004235

POS	CODE	12NC	DESCRIPTION	NOTE	POS	CODE	12NC	DESCRIPTION	NOTE
01	11023066	996530007572	BLACK COMPONENTS SUPPORT MDS		38	17001328	996530072561	BLACK DIFFUSER VALVE SUPPORT V2 MDS	
02	11023074	996530067449	BLACK SOCKET-SWITCH SUPPORT MDS		39	11023914	996530067495	BLACK STEEL DIFFUSER VALVE SUPPORT MDS	
03	12000280	996530007788	CUP SOCKET EN 60320 C 13		40	11023053	996530007564	BLACK DOOR TUBES COUPLING CONNECTOR MDS	
04	NE03.038	996530058836	BIPOLAR SWITCH FUSIT C1250AR		41	11023048	996530007561	BLACK EV CONNECTOR INSERT MDS	
05	12000450	996530007819	SCREW TCB TORX 10 3,5X12 PLAST.ZN-N		42	11013789	996530006858	BLACK EV CONNECTOR SEAL MYB9	
06	12001212	996530008003	ULKA PUMP MF	230V-50HZ	43	11013788	996530006857	BLACK EV CONNECTOR INSERT MYB9	
07	11012194	996530006315	BLACK/SBR ULKA MF PUMP SUPPORT		44	11023054	996530007565	BLACK DOOR TUBES COUPLING PROTECTION MDS	
08	11022888	996530007481	2POLES CONNECTOR STEAM PUMP MDS UL		45	11021842	996530007158	SOLENOID VALVE CONNECT.INSUL.WASHER MYB9	
09	11012193	996530006314	90° INLET CONNECTOR FOR PUMP ULKA MF		46	20000590	996530009859	BLOWDOWN VALVE COIL P0049 ASSY.	230V
10	147920300	996530017351	TRANS.CONNECTOR D=8 ART.80.26.047 KA.461		47	11007565	996530004421	BLACK BLOWDOWN VALVE CONNECTOR V2 P0049	
11	JS01.022	996530057357	SILICONE TUBE 5X10 60SH	IN ROLL	48	11005096	996530002744	SS FORK SPRING FOR BLOWDOWN VALVE P0049	
12	147920150	996530017348	90° INLET PUMP CONNECTOR		49	12000620	996530007856	OR ORM 0130-20 EPDM	
13	12000140	996530007753	ULKA PUMP EP5/S GW	230V-50HZ	50	12001595	996530067498	TRANSP/WHITE ASPIRATION FILTER MDS	
14	11022885	996530007477	2POLES CONNECTOR COFFEE PUMP MDS UL		51	17000408	996530009606	BLACK STEAM BLOWDOWN CONDENSER MDS ASSY.	
15	11022857	996530007468	BLACK PUMP SUPPORT GMYB		52	11023070	996530007574	STEEL STEAM TUBOL.BOILER SUPPORT MDS	
16	140321961	996530013471	O-RING 2031 TERMOIL		53	17000226	996530067501	BLK HORIZONTAL MOUNTING PLATE INSERT MDS	
17	11001054	996530000624	BLK PUMP OUTLET 90°CONNECTOR P0049/B		54	124390520	996530011326	BRASS BENT FASTON 45° 6,3X0,8	
18	NV99.099	996530059843	TURBINE D=1,2 932-8521/00 ASSY.		55	128310402	996530012341	GALV.WASHER UNI 8842 A4	
19	11022925	996530007494	6POLES CONNECTOR FLOWMETER MDS UL						
20	11013735	996530006841	SLIM TUB.BOILER ASSY.	230V-1300W	11006995	996530003974	BLOWDOWN VALVE V2 MYB9 ASSY.	230V	
21	11001751	996530000997	TUB.BOILER V3 UPPER THERM.FIXING SPRING						
22	129573402	996530012923	SCREW TAPT M4X10 DIN 7985 GALV						
23	190800100	996530026997	TEMPERATURE SENSOR NTC UL L=280MM		11026313	996530067955	SLIM TUB.BOIL.STD C2 T190° ASSY	230V-1300W	
24	12001033	996530007973	THERMOSTAT ONE SHOT 190°						
25	12000892	996530007947	OETIKER CLAMP D=9,5 16700004						
26	16000380	996530009505	5X8,9 SILICONE TUBE	IN ROLL					
27	11023069	996530007573	STEEL COFFEE TUBOL.BOILER SUPPORT MDS						
28	11023282	996530007608	BLACK SLIM TUB.BOILERS SUPPORT MYB9						
29	12001369	996530008039	SCREW TSP TORX 10 5X35 PLAST.SS						
30	20006558	996530010201	BLOWDOWN VALVE CASING MYB9 ASSY.						
31	129914302	996530013168	SCREW TORX M4X10 TESTA D=8X1,5 GALV						
32	11023071	996530007575	BLK COFFEE BOILER INSULATING COVER MDS						
33	184320200	996530025907	SPRING HOSE CLAMP D=9,5MM						
34	11012206	996530006317	BLACK BLOWDOWN VALVE SUPPORT MYB9						
35	129913902	996530013164	SCREW TCB TORX 10 3X12 PLAST.ZN-B						
36	11013711	996530006834	BLACK VALVE FIXING FLANGE MYB9						
37	11029615	996530072742	DIFFUSER VALVE MDS/P ASSY.						



ENERGICA FOCUS

TABLE 6/8



HD8852/01/09



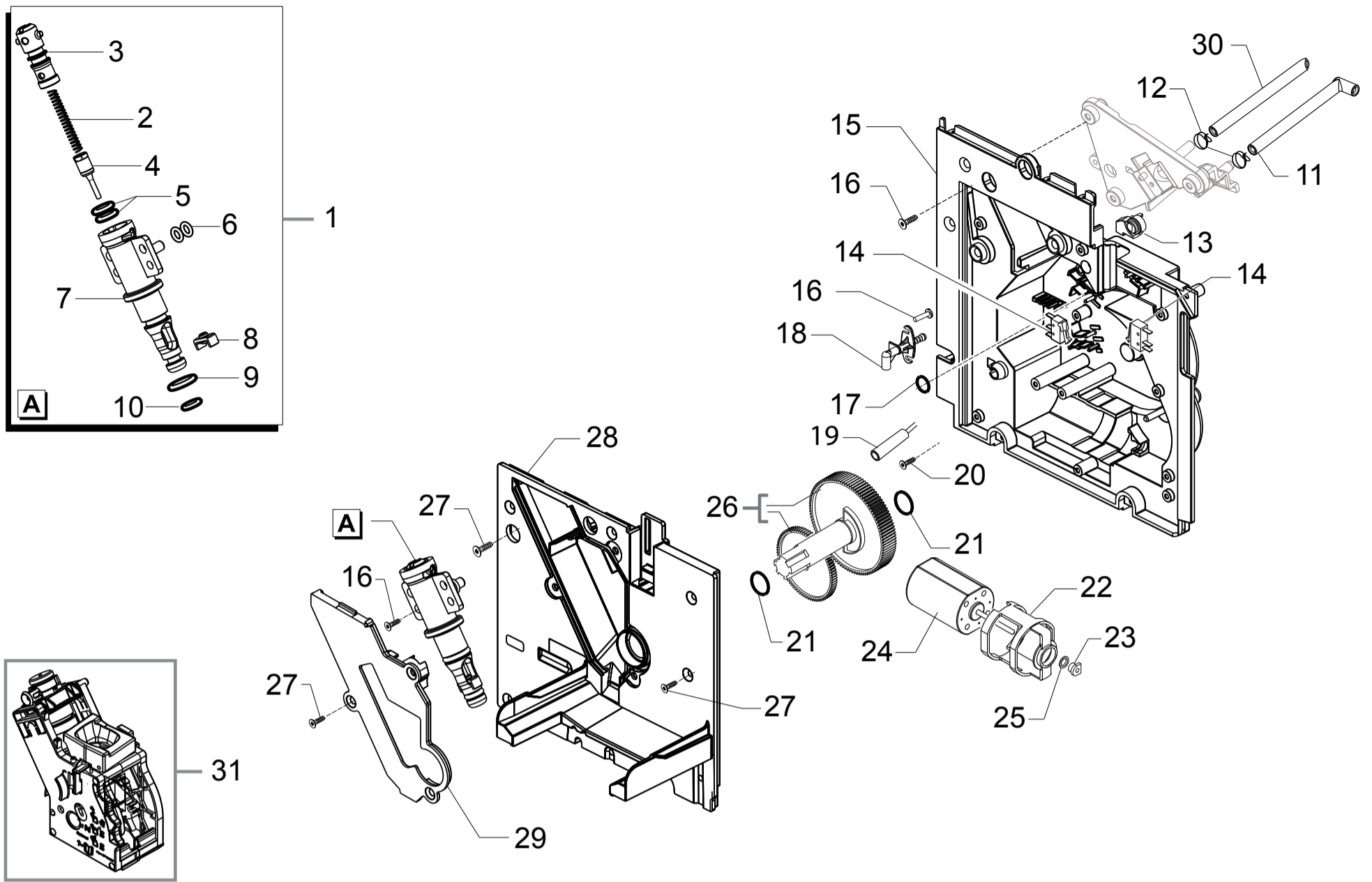
Cod.10004217
Cod.10004235

POS	CODE	12NC	DESCRIPTION	NOTE	POS	CODE	12NC	DESCRIPTION	NOTE
01	11011205	996530005991	TEA ZAMA INCREASE SCREW GRINDER						
02	149198250	996530017951	BLK UPPER COFFEEGRINDER GRINDER SUPPORT						
03	140328960	996530013577	OR ORM 0530-15 NBR FDA						
04	146520100	996530016342	BAKED CLAY GRINDER 48X28						
05	149198350	996530017952	BLK LOWER COFFEEGRINDER GRINDER SUPPORT						
06	123030300	996530011183	AXIAL BEARING EKKO 342.35252						
07	140360500	996530013597	FELT RING 45,4X39,4X4						
08	12000450	996530007819	SCREW TCB TORX 10 3,5X12 PLAST.ZN-N						
09	11026355	996530068049	BLK GROUND COFF.OUTLET CONVEYOR V4 ASSY.						
10	11030459	996530072511	GRY GROUND COFFEE CONT.LOWER SEAL SMART1						
11	11023063	996530007569	COFFEE GRINDER SOUNDPROOFING COVER MDS						
12	226000300	996530029609	GEAR SX Z=38 FOR GRINDER MOTION ASSY.						
13	149214800	996530018139	MC V3 MOD=1,25 WORM SCREW CENTRING CAP						
14	129661702	996530012992	SCREW TCB TORX 3,5X30 PLAST.ZN-B						
15	128381902	996530012375	STEEL FLAT WASHER DI=4,3 DE=14 SP=1,5						
16	129574802	996530012928	SCREW TCB TORX 20 M4X30 ZN-B						
17	11000597	996530000376	COFFEE GRINDER SUPPORT SPRING P124						
18	128310402	996530012341	GALV.WASHER UNI 8842 A4						
19	11002873	996530001389	INSULATOR BUSH FOR GRINDER MOTOR P124						
20	149199050	996530017963	BLK SENSOR SUPPORT FOR COF.GRINDER MOTOR						
21	11000513	996530000317	MOTOR COFFEEGRINDER V3.1 230V ASSY.						
22	17800040	996530009633	2POLES CONNECTOR GRINDER MOTOR MDS UL						
23	11000194	996530000115	BLACK COFFEEGRINDER MOTOR SUPPORT P124						
24	181540900	996530022784	ELECTR.BOARD WITH SENSOR HAL506 SF-K						
25	123030200	996530011182	RADIAL BEARING 61900.2RS1						
26	128381800	996530012374	STEEL CRINKLE WASHER 21,8X14X0,25						
27	142905450	996530015258	BLK UPPER BODY WITH COFFEE GROUND OUTLET						
28	11002613	996530001314	LOWER COFFEEGRINDER GEAR SUPPORT P124						
29	11002572	996530001308	COFFEEGRINDER REGULATION SPRING P124						
30	11003784	996530001907	COFFEE GRINDING ADJUSTMENT GEAR P0049						
31	11002508	996530001296	UPPER COFFEEGRINDER GEAR SUPPORT P124						
32	129914002	996530013165	SCREW TCB TORX 10 3,5X16 PLAST.ZN-B						
33	17001921	996530072477	BLK WIRING FIX INSERT FOR GRINDER BOARD						
	11023062	996530067517	GEN.COFFEE GRINDER MOTOR MDS ASSY.	230V					



ENERGICA FOCUS

TABLE 7/8



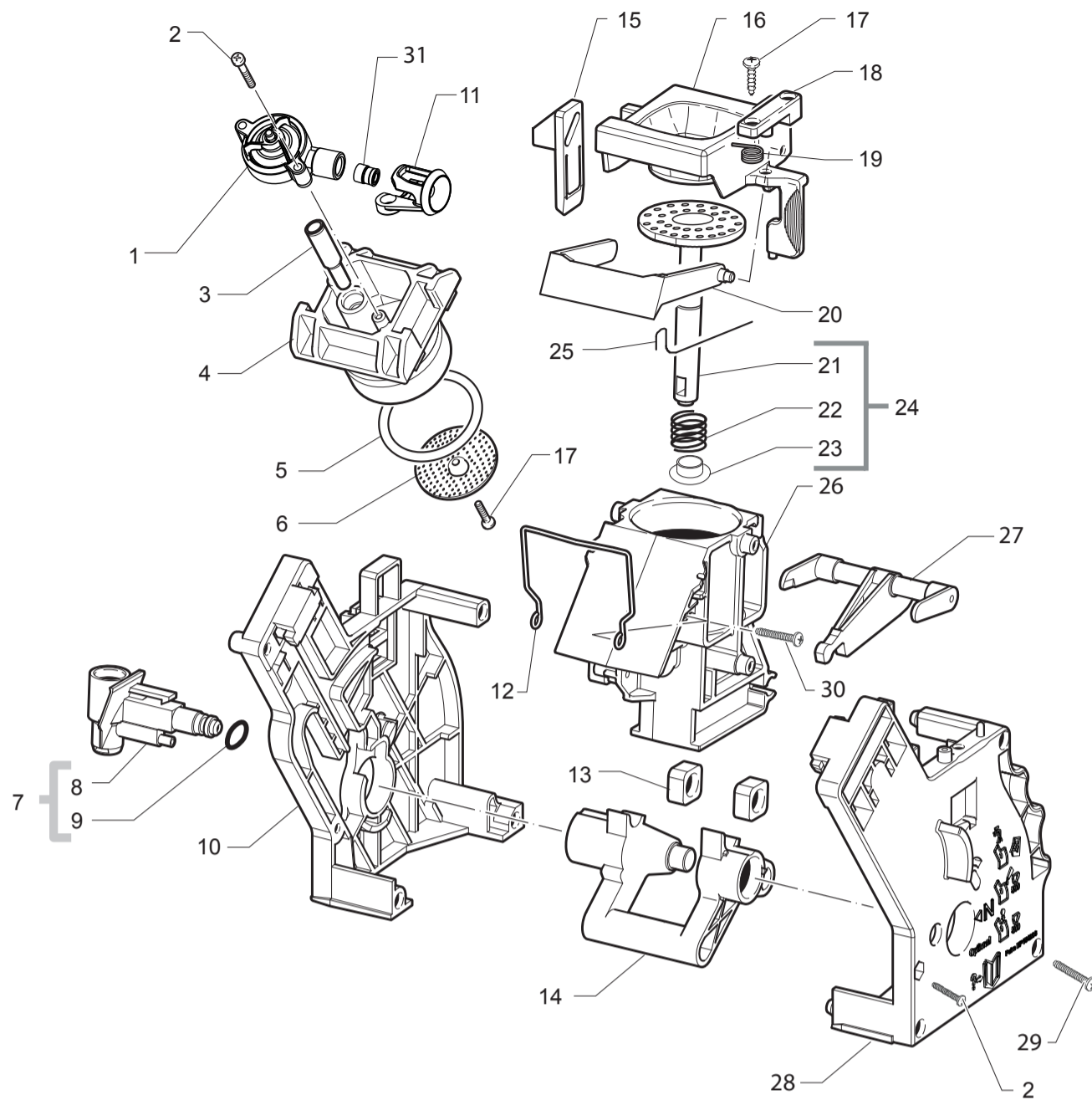
HD8852/01/09



Cod.10004217
Cod.10004235

POS	CODE	12NC	DESCRIPTION	NOTE	POS	CODE	12NC	DESCRIPTION	NOTE
01	11005060	996530002717	PIN V2 FOR BOILER P119 ASSY.						
02	9011.132	996530048874	SS SPRING FOR PIN						
03	11003820	996530001932	BLACK CAP V2 FOR PIN BOILER P119						
04	11009019	996530005183	TEA/BRASS PISTON L=20,9 ASSY.						
05	140324459	996530013508	OR ORM 0060-20 SILICONE PTFE/FDA						
06	140328059	996530013564	OR 2015 SILICONE PTFE/FDA						
07	11003801	996530001926	NAT.PIN V2 FOR BOILER P119						
08	11005099	996530002747	NATURAL CURSOR V2 FOR BOILER P119						
09	NM01.035	996530059399	OR ORM 0090-20 SILICONE						
10	NM01.057	996530059419	OR ORM 0050-20 IN SILICONE						
11	11012337	996530006375	WATER DRAIN CONNECTOR MYB9						
12	NV99.087	996530059836	BAND D=11/11,6						
13	11013514	996530006796	BLACK MOUNTING PLATE COVER SEAL MYB9						
14	NE05.038	996530058869	MICROSWITCH SAIA XCG5-81-P5						
15	11023064	996530007571	BLACK MOUNTING PLATE WITH PIN MDS ASSY.						
16	12000450	996530007819	SCREW TCB TORX 10 3,5X12 PLAST.ZN-N						
17	140325462	996530013526	OR ORM 0070-20 SILICONE						
18	11023055	996530007566	BLACK STEAM BLOWDOWN 90° CONNECTOR MDS						
19	11003661	996530001819	REED SENSOR MK3-1A66-BV16451						
20	129913902	996530013164	SCREW TCB TORX 10 3X12 PLAST.ZN-B						
21	9161.132	996530050569	MYLAR WASHER FOR RATIOMOTOR						
22	9121.044	996530049896	ANTIVIBRATION FOR MOTOR						
23	9121.046	996530049898	BRONZE SINTERED BUSH FOR MOTOR RATIOMOT.						
24	11005214	996530002796	MOTOR FOR RATIOMOTOR P124 ASSY.						
25	148380200	996530017424	BAKELIZZATE WASHER D=5,5						
26	20000900	996530009913	SPARES KIT GEARS FOR RATIOMOTOR V2						
27	12001860	996530072411	SCREW TSP TORX 10 3,5X14 PLAST.SS						
28	17000049	996530068009	BLACK COVER MOUNTING PLATE MDS						
29	142856550	996530015064	BLACK COVER FOR BOILER VAIN P119						
30	JS01.022	996530057357	SILICONE TUBE 5X10 60SH	IN ROLL					
31	11012810	996530006525	BLACK BREW UNIT 8GR.SBS MYB9 SEE EXPL.CODE E90071						





Saeco
INTERNATIONAL GROUP

SUP038



Cod. 11012810

POS	CODE	12NC	DESCRIPTION	NOTE	POS	CODE	12NC	DESCRIPTION	NOTE
01	11010660	996530005823	SBS VALVE STD ASSY.						
02	12000550	996530007838	SCREW TCB TORX 10 3X25 PLAST.SS						
03	11009276	996530005372	BLK COUNTER PISTON TUBE BREW UNIT S0053						
04	11001840	996530001046	BLACK COUNTER PISTON BREW UNIT 8GR.P124						
05	NM01.044	996530059406	OR ORM 0320-40 SILICONE PTFE/FDA						
06	9161.268	996530050709	PERCOLATOR DE=35,8 ELFO						
07	20000440	996530009825	BLACK WATER INLET SLEEVE BREW UNIT ASSY.						
08	9161.064.050	996530050488	BLACK WATER INLET SLEEVE BREW UNIT ROYAL						
09	NM02.007	996530059441	OR 2025 IN TERMOIL						
10	9161.375.050	996530050832	BLACK BREW UNIT REAR PLATE SMART						
11	145899250	996530016147	BLK COFFEE CONNECTION BREW UNIT P124						
12	11001556	996530000898	SS BREW UNIT SPRING H=49 SMART						
13	9161.094.050	996530050539	BLACK BREW UNIT DRILLED BLOCK						
14	9161.066.050	996530050492	BLACK BREW UNIT ELBOW SHAFT M5000						
15	9161.373.050	996530050827	BLACK BREW UNIT COUPLING PLATE SMART						
16	149261350	996530018241	BLACK HOPPER DOSER BREW UNIT SMART1						
17	12000895	996530007951	SCREW TSP TORX 10 3X10 PLAST.SS						
18	9161.374.050	996530050829	BLK BREWUNIT HOPPER BLOCKING PLATE SMART						
19	9161.378	996530050838	SS HOPPER SPRING FOR BREW UNIT SMART						
20	11004161	996530002096	BLACK SCRAPER FOR BREW UNIT M5000						
21	11003077	996530001451	BLK BREW UNIT INTEGRAL PISTON 8GR.ASSY.						
22	9161.198	996530050627	SS.8GR.BREW UNIT PISTON SPRING						
23	9161.191	996530050618	WHITE 8GR.-12GR.BREW UNIT PISTON BUSH						
24	11023086	996530007577	BLK 8GR.BREW UNIT NTEGR.PISTON GEN.ASSY.						
25	9161.046	996530050455	SS SCRAPER SPRING FOR BREW UNIT						
26	11003075	996530001448	BLACK COFFEE CONTAINER BREW UNIT P124						
27	11003078	996530001452	BLACK CONNECTING ROD BREW UNIT 8GR.						
28	11005920	996530003228	BLACK BREW UNIT FRONT PLATE S/SCR.SMART						
29	12000897	996530007953	SCREW TCB TORX 10 3,5X20 PLAST.SS						
30	129912521	996530013148	SCREW TCB TORX 10 3,5X14 PLAST.SS						
31	145857962	996530016004	BLACK COFFEE CONNECTOR INSERT SEAL P124						
	11012810	996530006525	BLACK BREW UNIT 8GR.SBS MYB9						

Saeco
INTERNATIONAL GROUP

GRUPPO CAFFE' XELISIS

TABLE 1/1