

HD8858/01-HD8859/01  
HD8859/01-03

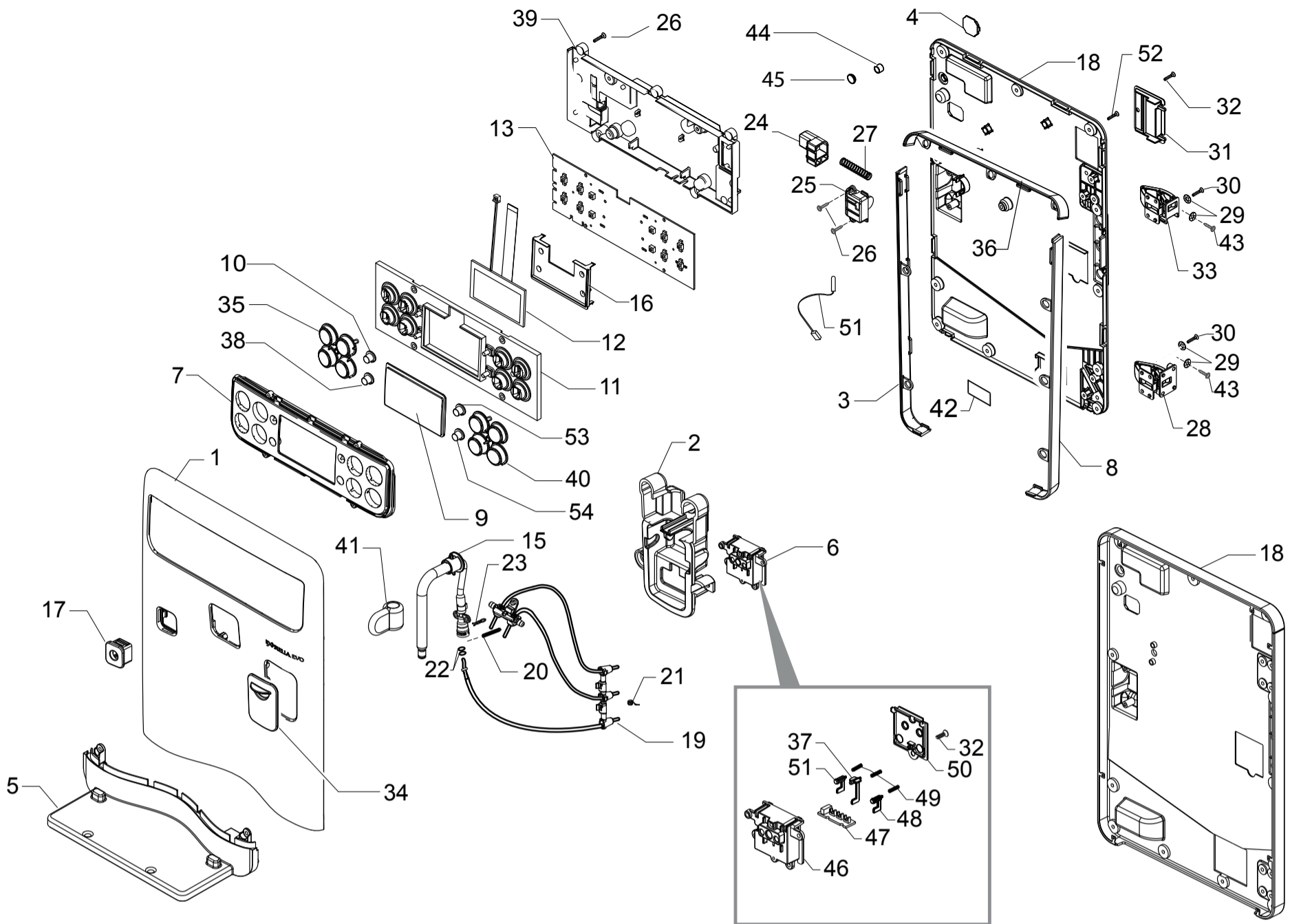


Cod.882885801020-882885801870-882885901020  
Cod.882885901870-882885903530

POS	CODE	12NC	DESCRIPTION	NOTE	POS	CODE	12NC	DESCRIPTION	NOTE
01		421944033301	BLK ABS COFFEE MEASURE SMART		37	129913202	996530013156	SCREW TCB TORX 10 3X8 PLAST.ZN-B	
02	127390100	996530011867	BRUSH FOR CLEANING		38	9161.111	996530050555	MAGNET FOR FLOAT SUPERAUT.	
03		421946017941	KLUBERLUB NH1 11-222 TUBE 5GR.		39	186401220	996530026185	BENT TABS 6,3 D=3,3 <=90° 4001851000	
04	11025804	996530070517	CHROM.LEFT LATERAL REAR FRAME INS.MDS		40	11025802	996530070516	CHROM.UPPER REAR FRAME INSERT MDS	
05		421946001591	BLK POWER CABLE SCHUKO L=800		41	17001686	996530073349	BLACK DOOR UPPER HINGE COVER MDS	
06		421941309071	KIT PS-E INSERT FOR BOX V2 MDS						
07	17000111	996530067464	BLACK COVER CONDUCTING SEAL MDS						
08		421946024341	DISPL.BOX MDSE SAE EXPRELIA EVO2						
09	12000450	996530007819	SCREW TCB TORX 10 3,5X12 PLAST.ZN-N						
10	11026338	996530070513	SB/SS GROUND CONT.DOOR COVER MDS/H ASSY.	HD8858/01					
		421944047971	WHT GROUND CONTAIN.DOOR S/SCR.MDS/P	HD8859/01-03					
11	11026339	996530070521	SB/SS WATER CONT.DOOR COVER MDS/H ASSY.	HD8858/01					
		421944047931	WHT WATER CONTAINER DOOR MDS/P	HD8859/01-03					
12		421944048731	G/ANM LEFT SIDE PANEL MDS/P	HD8858/01					
		421944047801	WHT LEFT SIDE PANEL MDS/P	HD8859/01-03					
13	11023035	996530007549	SS SPRING FOR WATER CONTAINER LEVER MDS						
14	11022425	996530007364	YELLOW LEVER FOR WATER CONTAIN.S/SC.MYB9						
15	11026340	996530070511	SB/SS BEAN CONTAIN.DOOR COVER MDS/H ASSY	HD8858/01					
		421944047951	WHT BEAN CONTAINER DOOR MDS/P	HD8859/01-03					
16	17000113	996530067474	BLACK COVER CASING V2 MDS						
17	11022950	996530007507	BLACK GROUND COFFEE HOPPER PLATE MDS						
18	11023060	996530007567	BLACK HORIZONTAL MOUNTING PLATE MDS						
19	11022938	996530067532	BLACK STEEL CASING MDS ASSY.						
20	11003232	996530001522	AS.CPU+SW WATER LEVEL SENSOR V2						
21	11024263	996530067506	PWR BOARD MDS						
22	11023061	996530007568	BLACK PWR BOARD COVER MDS						
23	129914002	996530013165	SCREW TCB TORX 10 3,5X16 PLAST.ZN-B						
24		421944039581	BLK REAR PANEL WHIT LOGO SAECO V2 MDS	HD8858/01					
		421944047821	WHT REAR PANEL WITH LOGO SAECO V2 MDS	HD8859/01-03					
25		421944048721	G/ANM RIGHT SIDE PANEL MDS/P	HD8858/01					
		421944047781	WHT RIGHT SIDE PANEL MDS/P	HD8859/01-03					
26	11021829	996530007156	BLACK/TRANSP.RIGID FOOT MYB9						
27	11021769	996530007136	BLACK RIGID FOOT FIXING PIN MYB9						
28	11026673	996530073497	BLACK DUMP BOX MDS ASSY.						
29	11023032	996530007547	BLK DRIP TRAY COFF.BREW UNIT COVER MDS						
30	17002176	996530073075	BLACK COFFEE UNIT DRIP TRAY V2 MDS						
31	11023166	996530007589	40POLES FLAT CABLE BOARDS LINK MDS UL						
32	11013806	996530006864	BLACK FLAT-CABLE PROTECTION MYB9						
33	17000064	996530067437	BLK CAPACIT.SENSOR DEADLOCK INSERT XSM						
34	11025803	996530070514	CHROM.RIGHT LATERAL REAR FRAME INS.MDS						
35	17000363	996530009605	TRANSP.INFRAREDS PLATE MDS						
36	11021976	996530007207	STEEL PLATE FOR DOOR CLOSURE MYB9						



EXPRELIA EVO2 CLASS - TOP



HD8858/01-HD8859/01  
HD8859/01-03

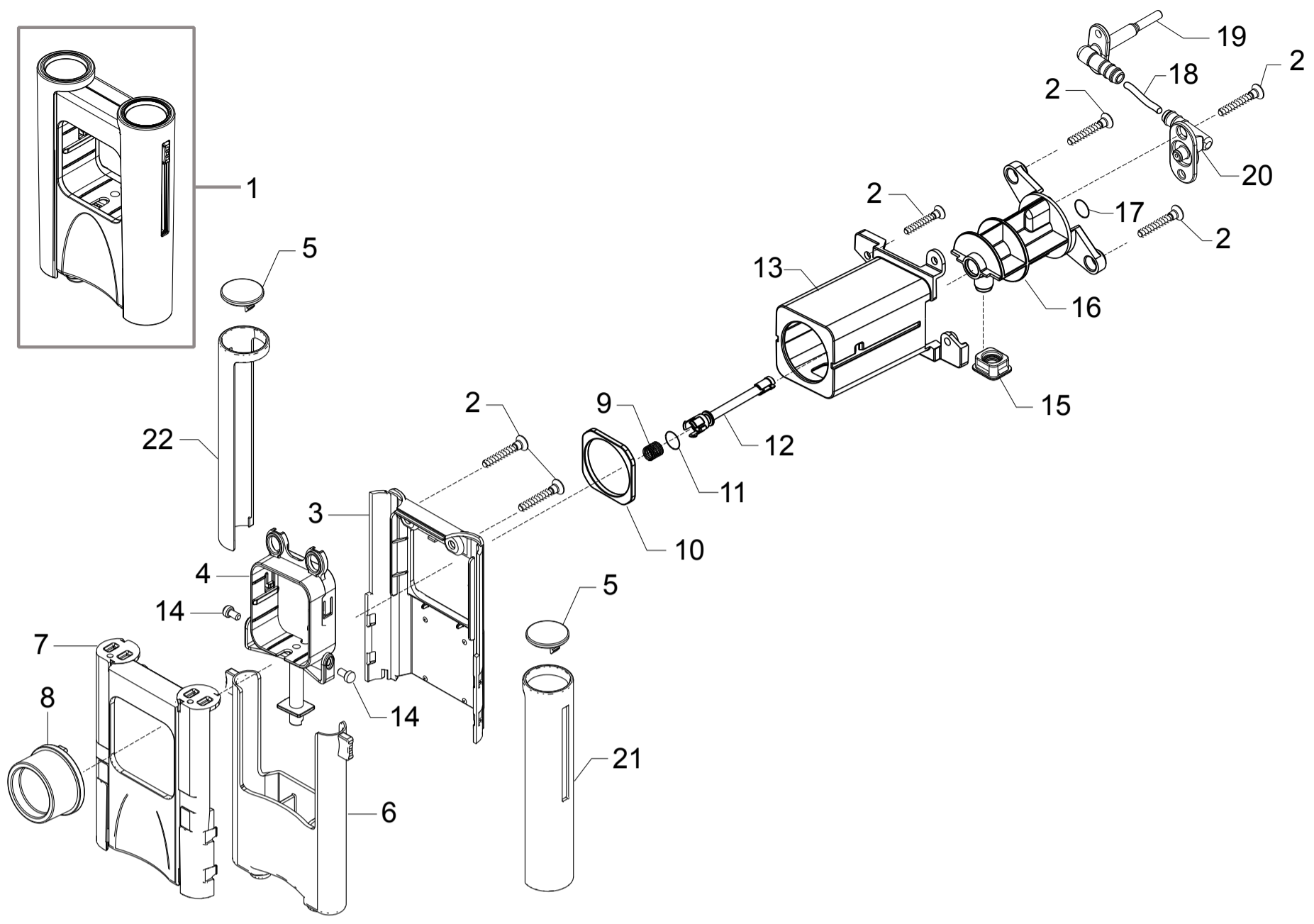


Cod.882885801020-882885801870-882885901020  
Cod.882885901870-882885903530

POS	CODE	12NC	DESCRIPTION	NOTE
01		421944048111	SB/SS FRONT.PANEL S/SCR.W/LOGO MDSE ASSY	HD8858/01
		421944047841	WHT STEEL FR.PANEL S/SCR.W/LOGO MDSE AS.	HD8859/01-03
02	11023433	996530007629	BLACK FRONTAL PANEL INSERT MDS	
03	11025801	996530070528	CHROM.LEFT LATERAL FRONT FRAME INS.MDS	
04	17000363	996530009605	TRANSP.INFRAREDS PLATE MDS	
05	11029324	996530070524	BLACK DRIP TRAY SUPPORT V2 MDS	
06	11022986	996530067487	BLK CARAFFE BOARD SUPPORT GEN.MDS ASSY.	
07		421944055821	CHR.TOUCH PANEL SUPPORT S/SCR.V5 MDSE	
08	11025800	996530070527	CHROM.RIGHT LATERAL FRONT FRAME INS.MDS	
09	11029410	996530072616	TRANSP.GLASS FOR DISPLAY S/SCR.MDSE	
10		421944048652	CRC OK BUTTON S/SCR.V2 MDSE	HD8858/01
		421944047452	WHT OK BUTTON S/SCR.V2 MDSE	HD8859/01-03
11	17001272	996530072586	TRANSP.TOUCH PANEL MDSE	
12	12001777	996530072599	DISPLAY OLED 128X64 MDSE	
13		421941308601	CPU+SW MYB9/MDS EVO 2015 ASSY.	
15		421944060431	TF/CHROM.STEAM TUBE V2 MDS ASSY	
16	17001424	996530072565	BLACK DISPLAY SUPPORT MDSE	
17	11023021	996530007542	CHROM.EXTERNAL STEAM TUBE INSERT MDS	
18	11030578	996530072409	BLK INSIDE COVER FRONT PANEL V3 MDS	
19	17000062	996530067476	WHT PREFORM.TEFLON TUBES SUPP.MDS ASSY.	
20	17000006	996530009559	TWO WAY TEFLON TUBES SUPPORT SPRING MYB9	
21	17000698	996530072574	STEEL TEFLON TUBES SUPPORT SPRING MDS	
22	140328059	996530013564	OR 2015 SILICONE PTFE/FDA	
23	9011.144	996530048885	SS FORK FOR TUBE D=4	
24	11014215	996530007042	BLACK BUTTON FOR DOOR RELEASE MYB9	
25	11014218	996530007043	BLACK COVER BUTTON FOR DOOR RELEASE MYB9	
26	12000450	996530007819	SCREW TCBR TORX 10 3,5X12 PLAST.ZN-N	
27	11021747	996530007128	SPRING FOR DOOR RELEASE BUTTON MYB9	
28	17000094	996530009581	DOOR LOWER HINGE V2 MYB9	
29	128310402	996530012341	GALV.WASHER UNI 8842 A4	
30	12001728	996530070321	SCREW TCBR TORX 10 3,5X12 PLAST.SS	
31	17000048	996530067469	BLACK FLAT-CABLE COVER MDS	
32	12000895	996530007951	SCREW TSP TORX 10 3X10 PLAST.SS	
33	17000106	996530009584	DOOR UPPER HINGE V2 MYB9	
34	11023368	996530007622	CHROM.CONNECT.CAP FOR CARAFE MDS ASSY.	
35		421944048141	CRC LEFT BUTTONS S/SCR.V2 MDSE ASSY.	HD8858/01
		421944047491	WHT LEFT BUTTONS S/SCR.MDSE ASSY.	HD8859/01-03
36	11025799	996530070525	CHROM.UPPER FRONT FRAME INSERT MDS	
37	17000045	996530009578	BLK PRESENCE CARAFE MICRO INSERT V2 MYB9	
38		421944048672	CRC EXIT BUTTON S/SCR.V2 MDSE	HD8858/01
		421944047482	WHT EXIT BUTTON S/SCR.V2 MDSE	HD8859/01-03
39	17001303	996530072569	BLACK INSIDE DISPLAY COVER MDSE	

POS	CODE	12NC	DESCRIPTION	NOTE
40		421944048221	CRC RIGHT BUTTONS S/SCR.V2 MDSE ASSY.	HD8858/01
		421944047641	WHT RIGHT BUTTONS S/SCR.MDSE ASSY.	HD8859/01-03
41	17000110	996530067454	BLACK STEAM TUBE HANDGRIP MDS	
42	11003232	996530001522	AS.CPU+SW WATER LEVEL SENSOR V2	
43	129823821	996530013079	TCB SCREW M4X8 UNI 7687 SS	
44	9161.111	996530050555	MAGNET FOR FLOAT SUPERAUT.	
45	11014016	996530006968	SS.INSERT FOR MAGNET MYB9	
46	11023238	996530007602	AS.SUPP.SCHEDA CARAF.V4 MYB9 NER.	
47	11013368	996530006754	MILKCARAFFE BOARD V2 MYB9	
48	17000002	996530009555	BLACK CARAFE MICRO INSERT V2 MYB9	
49	17000019	996530009566	SS CARAFE MICRO INSERT SPRING MYB9	
50	11013328	996530006745	BLACK CARAFFE BOARD COVER MYB9	
51	17800663	996530074212	2POLES CONN.SENSOR REED DOOR V2 P0049 UL	
52	129912521	996530013148	SCREW TCBR TORX 10 3,5X14 PLAST.SS	
53		421944048662	CRC AROMA BUTTON S/SCR.V2 MDSE	HD8858/01
		421944048632	WHT AROMA BUTTON S/SCR.V2 MDSE	HD8859/01-03
54		421944048682	CRC OK MENU S/SCR.V2 MDSE	HD8858/01
		421944048642	WHT MENU BUTTON S/SCR.V2 MDSE	HD8859/01-03





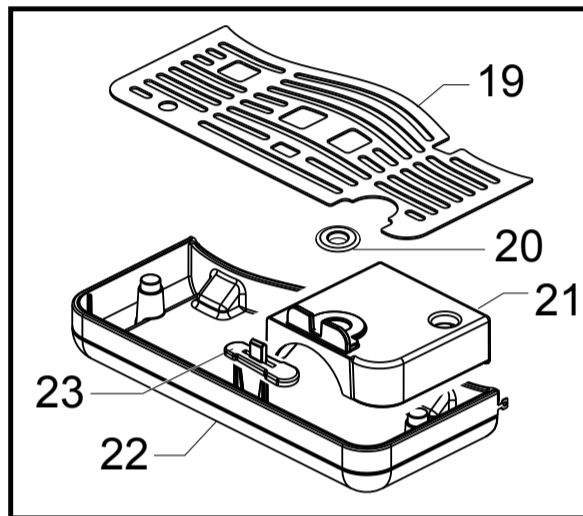
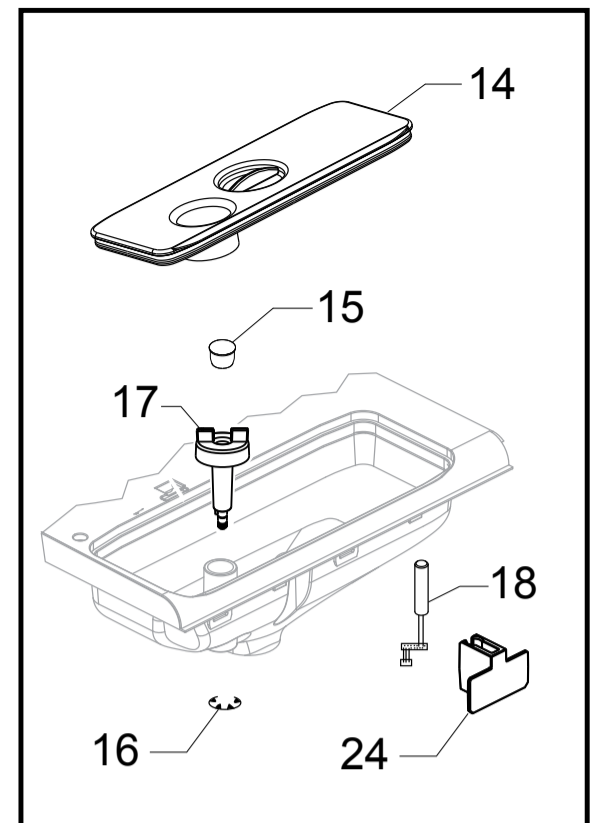
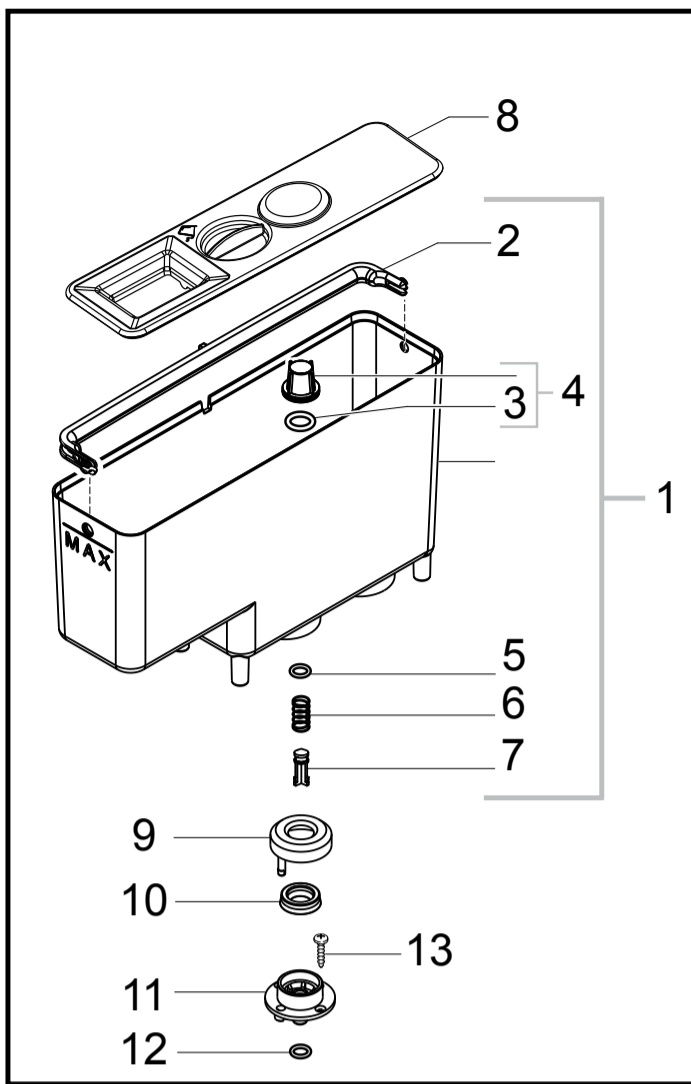
HD8858/01-HD8859/01  
HD8859/01-03



Cod.882885801020-882885801870-882885901020  
Cod.882885901870-882885903530

POS	CODE	12NC	DESCRIPTION	NOTE	POS	CODE	12NC	DESCRIPTION	NOTE
01	11029438	996530072545	CRC COFFEE DISPENSER MDSE ASSY.	HD8858/01					
		421944047901	WHT COFFEE DISPENSER MDSE ASSY.	HD8859/01-03					
02	12000450	996530007819	SCREW TCBR TORX 10 3,5X12 PLAST.ZN-N						
03	17001347	996530072628	BLACK.REAR COVER COFFEE DISPENSER MDSE	HD8858/01					
		421944048751	WHT REAR COVER COFFEE DISPENSER MDSE	HD8859/01-03					
04	17001341	996530072589	BLACK COFFEE DISPENSER INNER BODY MDSE						
05	11031418	996530073251	CHROM.COFFEE DISPENSER CAP V2 MDSE						
06	17001348	996530072624	BLACK EXT.MOBILE PART COF.DISPENSER MDSE						
07	11029434	996530072598	CRC FRONT COVER COFFEE DISPENSER MDSE	HD8858/01					
		421944047911	WHT FRONT COVER COFF.DISPENSER MDSE	HD8859/01-03					
08		421946024292	CHR.CREAM ADJUSTMENT KNOB S/SCR.V3 MDSE						
09	126772518	996530011711	SS COFF.CREAM ADJUSTMENT SHAFT SPRING						
10	11013324	996530006743	BLACK CREAM ADJUSTMENT KNOB RING MYB9						
11	140326661	996530013546	OR ORM 0040-20 BLACK EPDM						
12	140640200	996530013621	WHITE COFFEE CREAM ADJUSTMENT SHAFT						
13		421944047891	CHROM.COFFEE DISP.SUPPORT S/SCR MDS						
14	11013085	996530006614	WHITE COFFEE DISPENSER SLIDER MYB9						
15		421944057391	BLK COF.DISPENS.SEAL V2 MYB9						
16		421944043111	BLACK COFFEE DISPENSER TUBE V2 MYB9						
17	12000070	996530007732	OR ORM 0060-15 SILICONE						
18	149360200	996530018269	SILICONE TUBE 5X8 70SR	IN ROLL					
19	-	421944002701	BLK DISPENSER COF.INLET CONNECT.V2 MYB9						
20	11012926	996530006575	BLACK COFFEE DISPENSER CONNECTOR MYB9						
21	11030090	996530073252	CHROM.LEFT SIDE INSERT COF.DISPENS.MDSE						
22	11030091	996530073253	CHROM.RIGHT SIDE INSERT COF.DISPENS.MDSE						



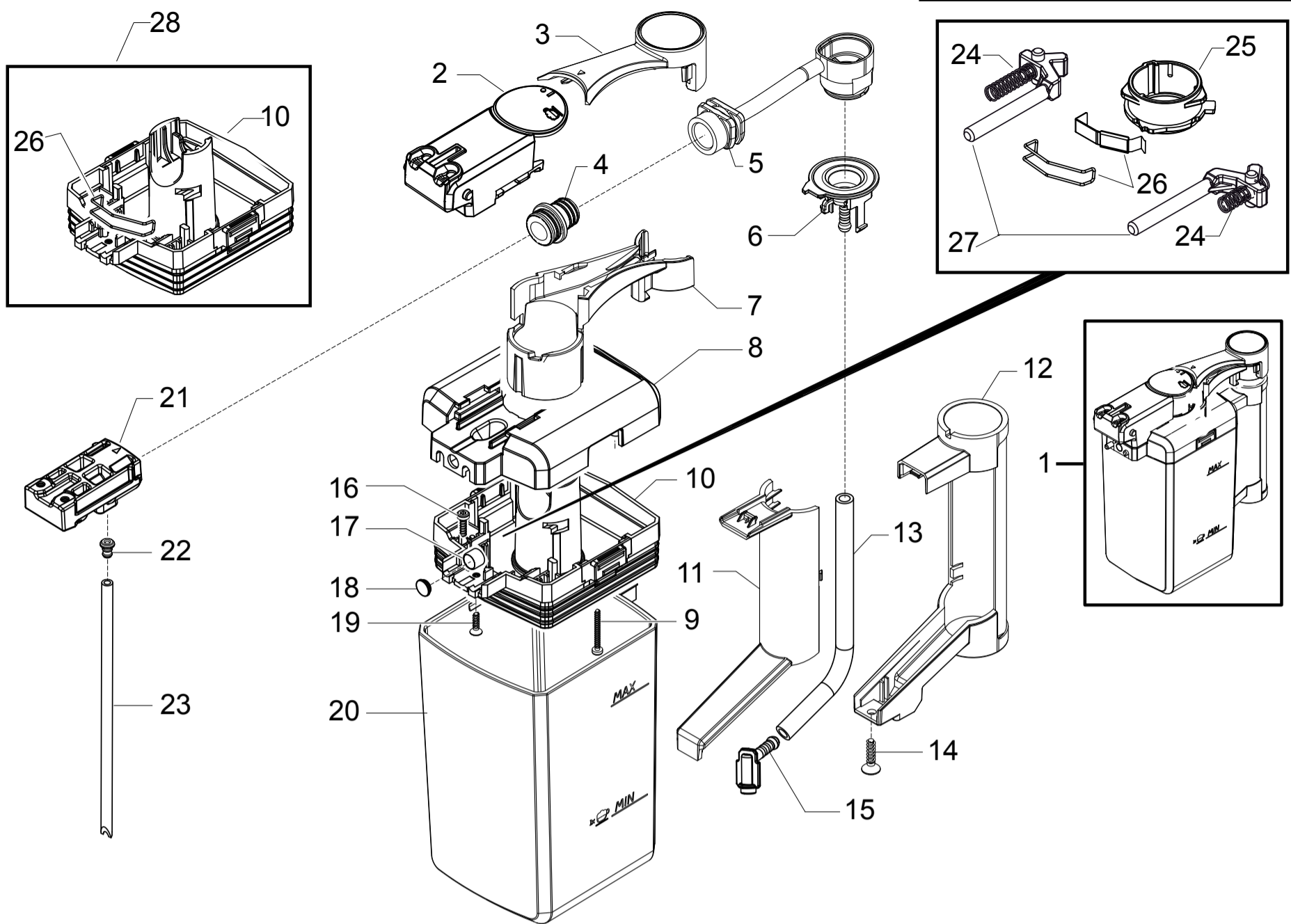


HD8858/01-HD8859/01  
HD8859/01-03



Cod.882885801020-882885801870-882885901020  
Cod.882885901870-882885903530

POS	CODE	12NC	DESCRIPTION	NOTE	POS	CODE	12NC	DESCRIPTION	NOTE
01		421944055841	NAT/GRY WATER CONT.LONGEVITY MDS ASSY						
02	11023155	996530007587	BLACK WATER CONTAINER HANDLE MDS						
03	140328461	996530013571	OR ORM 0190-10 EPDM						
04	224640200	996530029115	WHITE WATER CONTAINER EXT.FILTER ASSY.						
05	140324362	996530013507	OR ORM 0060-30 SILICONE						
06	126764718	996530011626	SS WATER CONTAINER VALVE SPRING						
07	147660562	996530016894	GREY PISTON FOR WATER CONTAINER VALVE						
08	11023038	996530007553	NAT/GRY WATER CONTAINER LID MDS						
09	701031150	996530044417	GREY WATER VALVE GACO DIM 14 SEAL COVER						
10	145842900	996530015823	NBR WATER CONT.VALVE GACO DIM14 SEAL						
11	701014150	996530044404	GREY WATER VALVE GACO DIM 14 SEAL CONT.						
12	140320461	996530013446	OR ORM 0080-20 TERMOIL						
13	129535721	996530012898	SCREW TSP TORX 10 AB 3,5X9,5 SHEET SS						
14		421944055871	NAT/GRY BEAN COF.CONT.LID S/SC.V2 MDS AS						
15	149213059	996530018116	GREY CAP FOR KNOBS BEAN CONTAINER						
16	120350604	996530010768	SHAFT 6 UNI 7434						
17	11022951	996530007508	BLACK GRIND.ADJUSTMENT KNOB MDS						
18	17800430	996530073402	5POLES CONNECTOR MC SENSORS V2 MDS UL						
19	11023025	996530007543	SS DRIP TRAY GRATE MDS						
20	17000147	996530066732	BLACK GRATE SEAL V3 MYB9/H-P						
21	11023030	996530007545	BLACK DRIP TRAY COVER MDS						
22	11023029	996530067463	SM/SS-BLACK DRIP TRAY MDS ASSY.						
23	17000001	996530009554	RED FLOAT FOR DRIP TRAY MDS						
24	17000204	996530067529	BLACK REED SENSOR SUPPORT MDS						

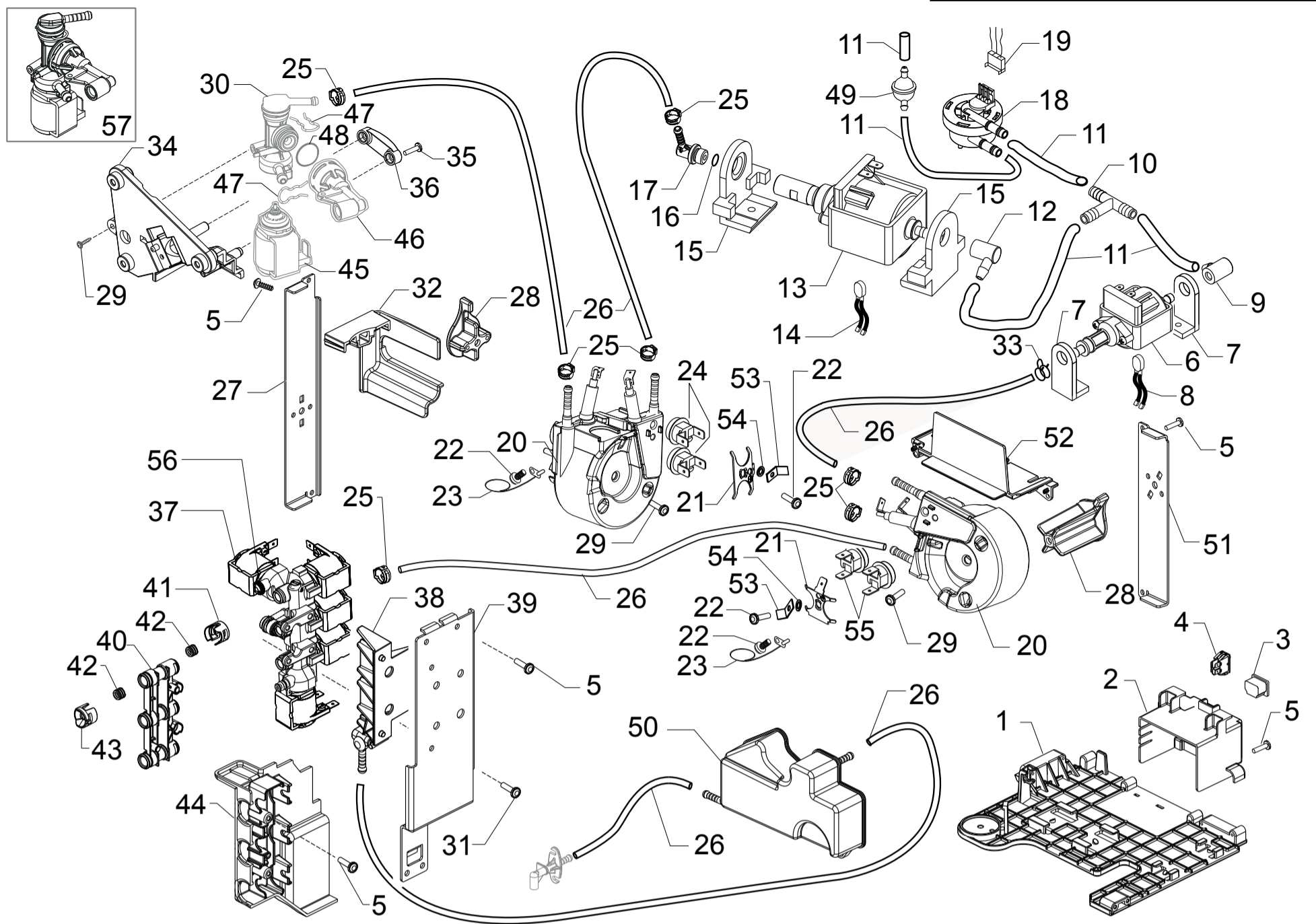


HD8858/01-HD8859/01  
HD8859/01-03



Cod.882885801020-882885801870-882885901020  
Cod.882885901870-882885903530

POS	CODE	12NC	DESCRIPTION	NOTE	POS	CODE	12NC	DESCRIPTION	NOTE
01		421941300151	TRANSP/CHROM.GEN.CARAFE MDS/P ASSY.						
02	11023235	996530007599	CHR.CARAFE CAPP.COVER V2 S/SC.MYB9 ASSY						
03		421941300231	CHROM.CARAFE UP.DISP.SUPP.S/S.MDSE ASSY.						
04	11012812	996530006527	VENTURI TUBE FOR CAPPUCINATORE MYB9						
05	17001880	996530073248	BLACK CARAFE MILK DISPENSER TUBE V2 MDSE						
06	17001564	996530072547	BLACK UPPER TUBE CARAFE CONNECT.MDSE						
07		421941300171	CHROM.CARAFE LOWER DISPENSER SUPP.MDSE						
08	11030950	996530072575	MATT/BLACK UPPER COVER PART CARAFE MYB9						
09	12000550	996530007838	SCREW TCB TORX 10 3X25 PLAST.SS						
10		421944012821	BLK LOWER COVER PART CARAFE V2 MYB9 ASSY						
11		421941300271	CHROM.CARAFE REAR PART HANDLE MDSE						
12		421941300251	CHROM.CARAFE FRONT PART HANDLE MDS/P						
13	149360200	996530018269	SILICONE TUBE 5X8 70SR	IN ROLL					
14	129911721	996530013137	SCREW TSP TORX 4X16 PLAST STEEL						
15	11013164	996530006669	BLACK LOWER TUBE CARAFE CONNECT.MYB9						
16	129910921	996530013128	SCREW TCB TORX 10 3X10 SS						
17	9161.111	996530050555	MAGNET FOR FLOAT SUPERAUT.						
18	11014016	996530006968	SS.INSERT FOR MAGNET MYB9						
19	12000895	996530007951	SCREW TSP TORX 10 3X10 PLAST.SS						
20	11024104	996530007705	TRANSP.CARAFE V3 S/SCREEN MYB9						
21	17000004	996530009557	BLK CARAFE CAPPUCIN.CASING W/CAPS MYB9						
22	17001076	996530072552	GREY MILK TUBE CONNECTOR MDSE						
23	11012814	996530067584	SILICONE TUBE 3,5X6 L=140 MM						
24	11013765	996530006849	STEEL SPRING FOR CARAFE LEVER MYB9						
25	17001728	996530072607	BLACK CAM FOR CARAFE LEVERS MDSE						
26		421944007011	CARAFE SPRING WITH INSERT MYB9 ASSY						
27	17000131	996530067459	BLACK LEVER FOR CARAFE CAM V3 MYB9						
28		421940813091	KIT SPARES LOW.COVER PART CARAFE V2 MYB9						

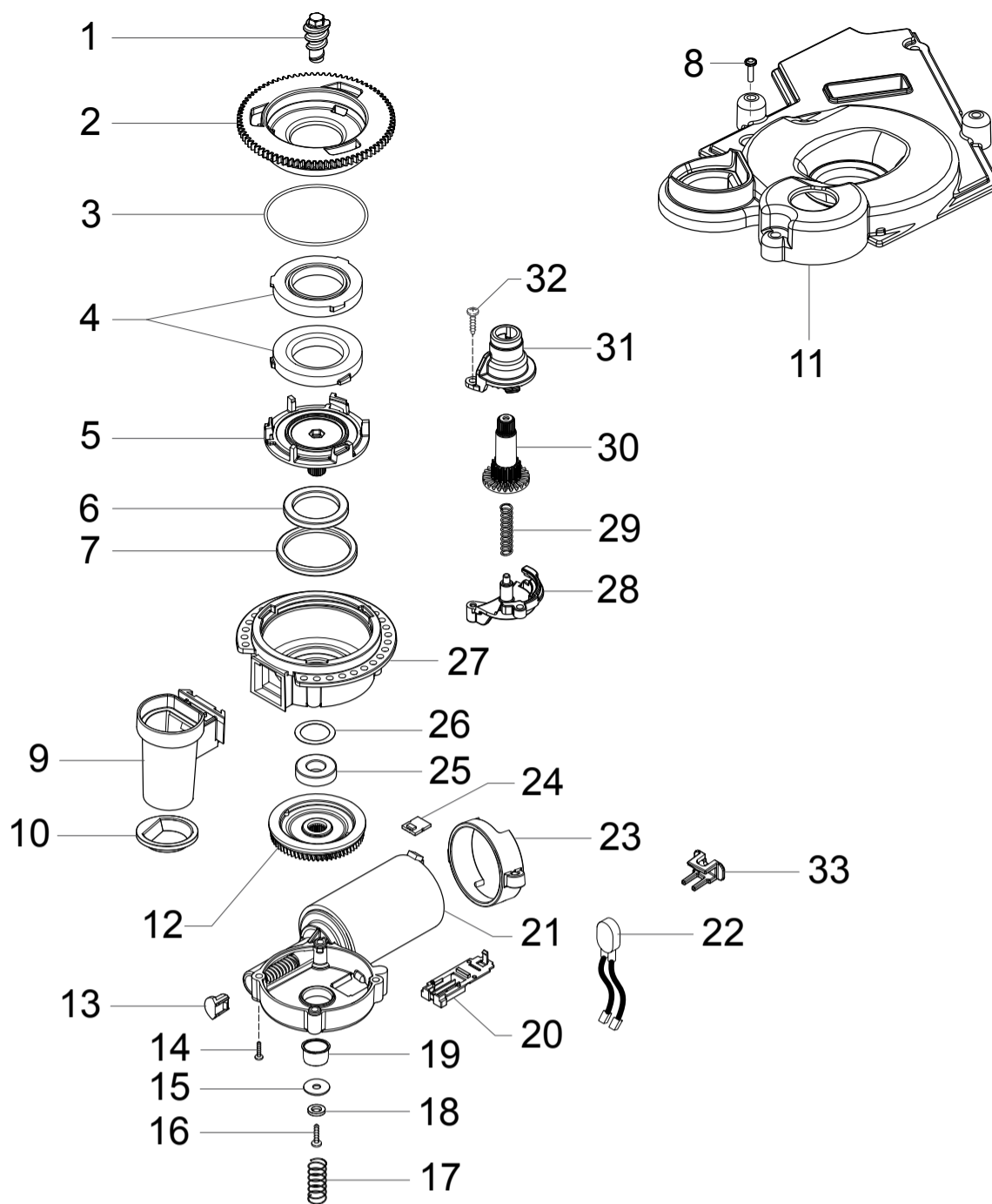


HD8858/01-HD8859/01  
HD8859/01-03



Cod.882885801020-882885801870-882885901020  
Cod.882885901870-882885903530

POS	CODE	12NC	DESCRIPTION	NOTE	POS	CODE	12NC	DESCRIPTION	NOTE
01	11023066	996530007572	BLACK COMPONENTS SUPPORT MDS		44	11023054	996530007565	BLACK DOOR TUBES COUPLING PROTECTION MDS	
02	11023074	996530067449	BLACK SOCKET-SWITCH SUPPORT MDS		45		NOT AVAILABLE	SEE POS 57	
03	12001883	996530072437	CUP SOCKET V3 EN 60320 C 13		46		NOT AVAILABLE	SEE POS 57	
04	NE03.038	996530058836	BIPOLAR SWITCH FUSIT C1250AR		47		NOT AVAILABLE	SEE POS 57	
05	12000450	996530007819	SCREW TCBR TORX 10 3,5X12 PLAST.ZN-N		48		NOT AVAILABLE	SEE POS 57	
06	12001212	996530008003	ULKA PUMP MF	230V-50HZ	49	12001595	996530067498	TRANSP/WHITE ASPIRATION FILTER MDS	
07	11012194	996530006315	BLACK/SBR ULKA MF PUMP SUPPORT		50	17000408	996530009606	BLACK STEAM BLOWDOWN CONDENSER MDS ASSY.	
08	11022888	996530007481	2POLES CONNECTOR STEAM PUMP MDS UL		51	11023070	996530007574	STEEL STEAM TUBOL.BOILER SUPPORT MDS	
09	11012193	996530006314	90° INLET CONNECTOR FOR PUMP ULKA MF		52	17000226	996530067501	BLK HORIZONTAL MOUNTING PLATE INSERT MDS	
10	147920300	996530017351	TRANS.CONNECTOR D=8 ART.80.26.047 KA.461		53	124390520	996530011326	BRASS BENT FASTON 45° 6,3X0,8	
11	JS01.022	996530057357	SILICONE TUBE 5X10 60SH	IN ROLL	54	128310402	996530012341	GALV.WASHER UNI 8842 A4	
12	147920150	996530017348	90° INLET PUMP CONNECTOR		55		421940813001	KIT SPARES STEAM BOILER THERMOSTATS	
13		421941305991	ULKA PUMP EP5FMGW	230V-50HZ	56	11013825	996530006868	BLACK MILK-AIR FLOW SELECTOR MYB9	
14	11022885	996530007477	2POLES CONNECTOR COFFEE PUMP MDS UL		57		421944039871	BLOWDOWN VALVE V3 MYB9 ASSY	230V
15	11022857	996530007468	BLACK PUMP SUPPORT GMYB				421941302132	SLIM T.BOIL.V2 C2 T150-204 AS	230V-1300W
16	140321961	996530013471	O-RING 2031 TERMOIL				421941302102	SLIM T.BOIL.V2 C2 T170-204 AS	230V-1300W
17	11001054	996530000624	BLK PUMP OUTLET 90°CONNECTOR P0049/B						
18	NV99.099	996530059843	TURBINE D=1,2 932-8521/00 ASSY.						
19	11022925	996530007494	6POLES CONNECTOR FLOWMETER MDS UL						
20		421944024121	TUB.BOILER XS4 ASSY.	230V-1300W					
21	11001751	996530000997	TUB.BOILER V3 UPPER THERM.FIXING SPRING						
22	129573402	996530012923	SCREW TAPT M4X10 DIN 7985 GALV						
23	190800100	996530026997	TEMPERATURE SENSOR NTC UL L=280MM						
24	-	421940812991	KIT SPARES COFFEE BOILER THERMOSTATS						
25	12000892	996530007947	OETIKER CLAMP D=9,5 16700004						
26	16000380	996530009505	5X8,9 SILICONE TUBE	IN ROLL					
27	17001900	996530073079	STEEL COFFEE TUBOL.BOILER SUPPORT V2 MDS						
28		421944057621	NEU SLIM TUB.BOILERS SUPPORT V2 MYB9						
29	12001280	996530008024	SCREW TSP TORX 10 5X20 PLAST.ZN-B						
30		NOT AVAILABLE	SEE POS 57						
31	129914302	996530013168	SCREW TORX M4X10 TESTA D=8X1,5 GALV						
32	11023071	996530007575	BLK COFFEE BOILER INSULATING COVER MDS						
33	184320200	996530025907	SPRING HOSE CLAMP D=9,5MM						
34	11012206	996530006317	BLACK BLOWDOWN VALVE SUPPORT MYB9						
35	129913902	996530013164	SCREW TCB TORX 10 3X12 PLAST.ZN-B						
36	11013711	996530006834	BLACK VALVE FIXING FLANGE MYB9						
37		421944060611	DIFFUSER VALVE V3 MDS ASSY						
38	17001328	996530072561	BLACK DIFFUSER VALVE SUPPORT V2 MDS						
39	11023914	996530067495	BLACK STEEL DIFFUSER VALVE SUPPORT MDS						
40		421944059431	WHT DOOR TUBES COUPLING CONNECT.PPS MDS						
41	11023048	996530007561	BLACK EV CONNECTOR INSERT MDS						
42	11013789	996530006858	BLACK EV CONNECTOR SEAL MYB9						
43	11013788	996530006857	BLACK EV CONNECTOR INSERT MYB9						

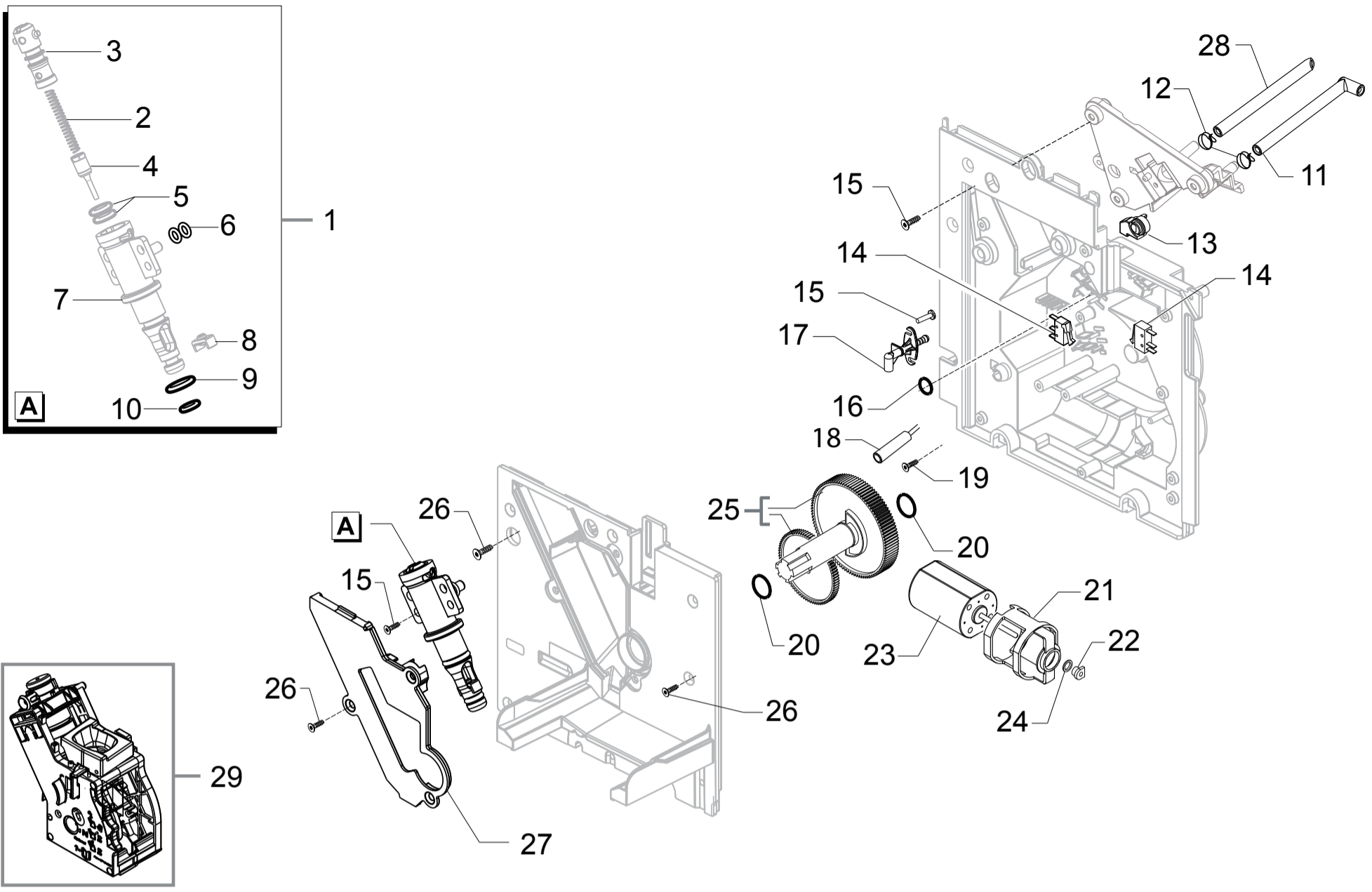


HD8858/01-HD8859/01  
HD8859/01-03



Cod.882885801020-882885801870-882885901020  
Cod.882885901870-882885903530

POS	CODE	12NC	DESCRIPTION	NOTE	POS	CODE	12NC	DESCRIPTION	NOTE
01	11011205	996530005991	TEA ZAMA INCREASE SCREW GRINDER						
02	-	421941094152	BLK COF.GRINDER UPPER GRINDER SUPPORT V2						
03	140328960	996530013577	OR ORM 0530-15 NBR FDA						
04	146520100	996530016342	BAKED CLAY GRINDER 48X28						
05	149198350	996530017952	BLK LOWER COFFEEGRINDER GRINDER SUPPORT						
06	123030300	996530011183	AXIAL BEARING EKKO 342.35252						
07	140360500	996530013597	FELT RING 45,4X39,4X4						
08	12000450	996530007819	SCREW TCB TORX 10 3,5X12 PLAST.ZN-N						
09	11026355	996530068049	BLK GROUND COFF.OUTLET CONVEYOR V4 ASSY.						
10	11030459	996530072511	GRY GROUND COFFEE CONT.LOWER SEAL SMART1						
11	11023063	996530007569	COFFEE GRINDER SOUNDPROOFING COVER MDS						
12	226000300	996530029609	GEAR SX Z=38 FOR GRINDER MOTION ASSY.						
13	149214800	996530018139	MC V3 MOD=1,25 WORM SCREW CENTRING CAP						
14	129661702	996530012992	SCREW TCB TORX 3,5X30 PLAST.ZN-B						
15	128381902	996530012375	STEEL FLAT WASHER DI=4,3 DE=14 SP=1,5						
16	129574802	996530012928	SCREW TCB TORX 20 M4X30 ZN-B						
17	11000597	996530000376	COFFEE GRINDER SUPPORT SPRING P124						
18	128310402	996530012341	GALV.WASHER UNI 8842 A4						
19	11002873	996530001389	INSULATOR BUSH FOR GRINDER MOTOR P124						
20	149199050	996530017963	BLK SENSOR SUPPORT FOR COF.GRINDER MOTOR						
21	11000513	996530000317	MOTOR COFFEEGRINDER V3.1 ASSY.	230V					
22	17800040	996530009633	2POLES CONNECTOR GRINDER MOTOR MDS UL						
23	11000194	996530000115	BLACK COFFEEGRINDER MOTOR SUPPORT P124						
24	181540900	996530022784	ELECTR.BOARD WITH SENSOR HAL506 SF-K						
25	123030200	996530011182	RADIAL BEARING 61900.2RS1						
26	128381800	996530012374	STEEL CRINKLE WASHER 21,8X14X0,25						
27	142905450	996530015258	BLK UPPER BODY WITH COFFEE GROUND OUTLET						
28	11002613	996530001314	LOWER COFFEEGRINDER GEAR SUPPORT P124						
29	11002572	996530001308	COFFEEGRINDER REGULATION SPRING P124						
30	11003784	996530001907	COFFEE GRINDING ADJUSTMENT GEAR P0049						
31	11002508	996530001296	UPPER COFFEEGRINDER GEAR SUPPORT P124						
32	129914002	996530013165	SCREW TCB TORX 10 3,5X16 PLAST.ZN-B						
33	17001921	996530072477	BLK WIRING FIX INSERT FOR GRINDER BOARD						
	11023062	996530067517	GEN.COFFEE GRINDER MOTOR MDS ASSY.	230V					



HD8858/01-HD8859/01  
HD8859/01-03



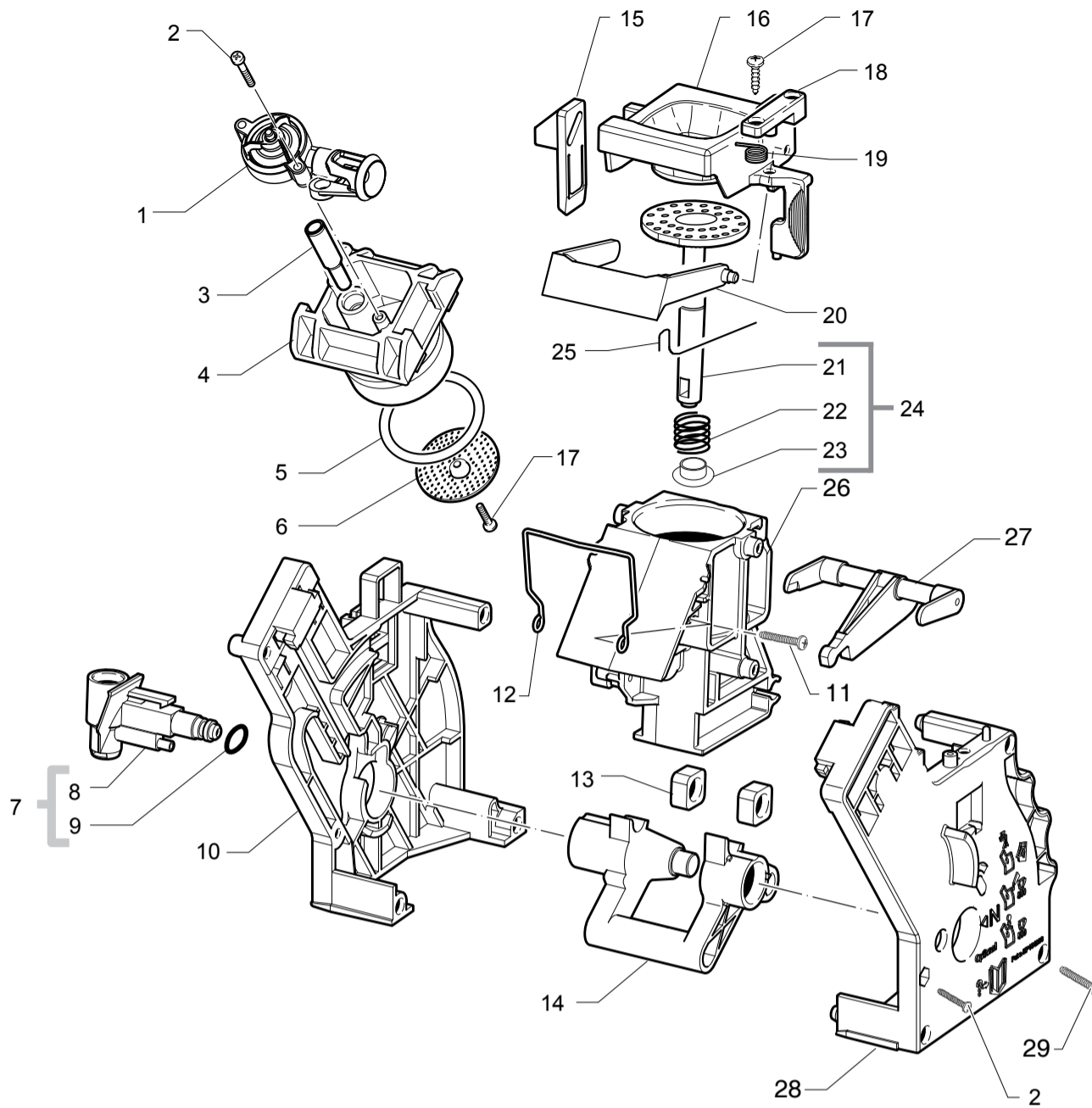
Cod.882885801020-882885801870-882885901020  
Cod.882885901870-882885903530

POS	CODE	12NC	DESCRIPTION	NOTE	POS	CODE	12NC	DESCRIPTION	NOTE
01	11005060	996530002717	PIN V2 FOR BOILER P119 ASSY.						
02			NOT AVAILABLE	SEE POS 01					
03			NOT AVAILABLE	SEE POS 01					
04			NOT AVAILABLE	SEE POS 01					
05			NOT AVAILABLE	SEE POS 01					
06	140328059	996530013564	OR 2015 SILICONE PTFE/FDA						
07			NOT AVAILABLE	SEE POS 01					
08			NOT AVAILABLE	SEE POS 01					
09	NM01.035	996530059399	OR ORM 0090-20 SILICONE						
10	NM01.057	996530059419	OR ORM 0050-20 IN SILICONE						
11	11012337	996530006375	WATER DRAIN CONNECTOR MYB9						
12	NV99.087	996530059836	BAND D=11/11,6						
13	11013514	996530006796	BLACK MOUNTING PLATE COVER SEAL MYB9						
14	NE05.038	996530058869	MICROSWITCH SAIA XCG5-81-P5						
15	12000450	996530007819	SCREW TCB TORX 10 3,5X12 PLAST.ZN-N						
16	140325462	996530013526	OR ORM 0070-20 SILICONE						
17	11023055	996530007566	BLACK STEAM BLOWDOWN 90° CONNECTOR MDS						
18	11003661	996530001819	REED SENSOR MK3-1A66-BV16451						
19	129913902	996530013164	SCREW TCB TORX 10 3X12 PLAST.ZN-B						
20	9161.132	996530050569	MYLAR WASHER FOR RATIOMOTOR						
21	9121.044	996530049896	ANTIVIBRATION FOR MOTOR						
22	9121.046	996530049898	BRONZE SINTERED BUSH FOR MOTOR RATIOMOT.						
23	11005214	996530002796	MOTOR FOR RATIOMOTOR P124 ASSY.						
24	148380200	996530017424	BAKELIZZATE WASHER D=5,5						
25	20000900	996530009913	SPARES KIT GEARS FOR RATIOMOTOR V2						
26		421944016781	SCREW TSP TORX 10 3,5X14 PLAST.ZN-NI						
27	142856550	996530015064	BLACK COVER FOR BOILER VAIN P119						
28	JS01.022	996530057357	SILICONE TUBE 5X10 60SH	IN ROLL					
29		421944059501	BLK/YLW BREW UNIT 8GR.SBS V3 MYB9						



EXPRELIA EVO2 CLASS - TOP





HD8858/01-HD8859/01  
HD8859/01-03



Cod.882885801020-882885801870-882885901020  
Cod.882885901870-882885903530

POS	CODE	12NC	DESCRIPTION	NOTE	POS	CODE	12NC	DESCRIPTION	NOTE
01	11002154	996530001192	SAECO BREWING SYSTEM VALVE P124 ASSY						
02	12000550	996530007838	SCREW TCB TORX 10 3X25 PLAST.SS						
03	11009276	996530005372	BLK COUNTER PISTON TUBE BREW UNIT S0053						
04	11001840	996530001046	BLACK COUNTER PISTON BREW UNIT 8GR.P124						
05	NM01.044	996530059406	OR ORM 0320-40 SILICONE PTFE/FDA						
06	9161.268	996530050709	PERCOLATOR DE=35,8 ELFO						
07	20000440	996530009825	BLACK WATER INLET SLEEVE BREW UNIT ASSY.						
08	9161.064.050	996530050488	BLACK WATER INLET SLEEVE BREW UNIT ROYAL						
09	NM02.007	996530059441	OR 2025 IN TERMOIL						
10	9161.375.050	996530050832	BLACK BREW UNIT REAR PLATE SMART						
11	129912521	996530013148	SCREW TCB TORX 10 3,5X14 PLAST.SS						
12	11001556	996530000898	SS BREW UNIT SPRING H=49 SMART						
13	9161.094.050	996530050539	BLACK BREW UNIT DRILLED BLOCK						
14		421944051231	YLW BREW UNIT ELBOW SHAFT M5000						
15		421944046931	YLW BREW UNIT COUPLING PLATE V2 SMART						
16	149261350	996530018241	BLACK HOPPER DOSER BREW UNIT SMART1						
17	12000895	996530007951	SCREW TSP TORX 10 3X10 PLAST.SS						
18		421944050711	YLW BREWUNIT HOPPER BLOCKING PLATE SMART						
19	9161.378	996530050838	SS HOPPER SPRING FOR BREW UNIT SMART						
20	11004161	996530002096	BLACK SCRAPER FOR BREW UNIT M5000						
21		421944025621	BLK BREW UNIT INTEGR.PISTON 8GR.V3 ASSY.						
22	9161.198	996530050627	SS.8GR.BREW UNIT PISTON SPRING						
23	9161.191	996530050618	WHITE 8GR.-12GR.BREW UNIT PISTON BUSH						
24		421944029791	BLK BREW UNIT 8GR.INT.PISTON GEN.V3 ASSY						
25	9161.046	996530050455	SS SCRAPER SPRING FOR BREW UNIT						
26		421944014611	BLK COF.CONTAIN.BREW UNIT V2 M5000 ASSY.						
27	11003078	996530001452	BLACK CONNECTING ROD BREW UNIT 8GR.						
28	11005920	996530003228	BLACK BREW UNIT FRONT PLATE S/SCR.SMART						
29	12000897	996530007953	SCREW TCB TORX 10 3,5X20 PLAST.SS						
		421944059501	BLK/YLW BREW UNIT 8GR.SBS V3 MYB9						