

HD8763/01-06-09-11  
 HD8763/18-19-21-31  
 HD8773/47 HD8867/11-12

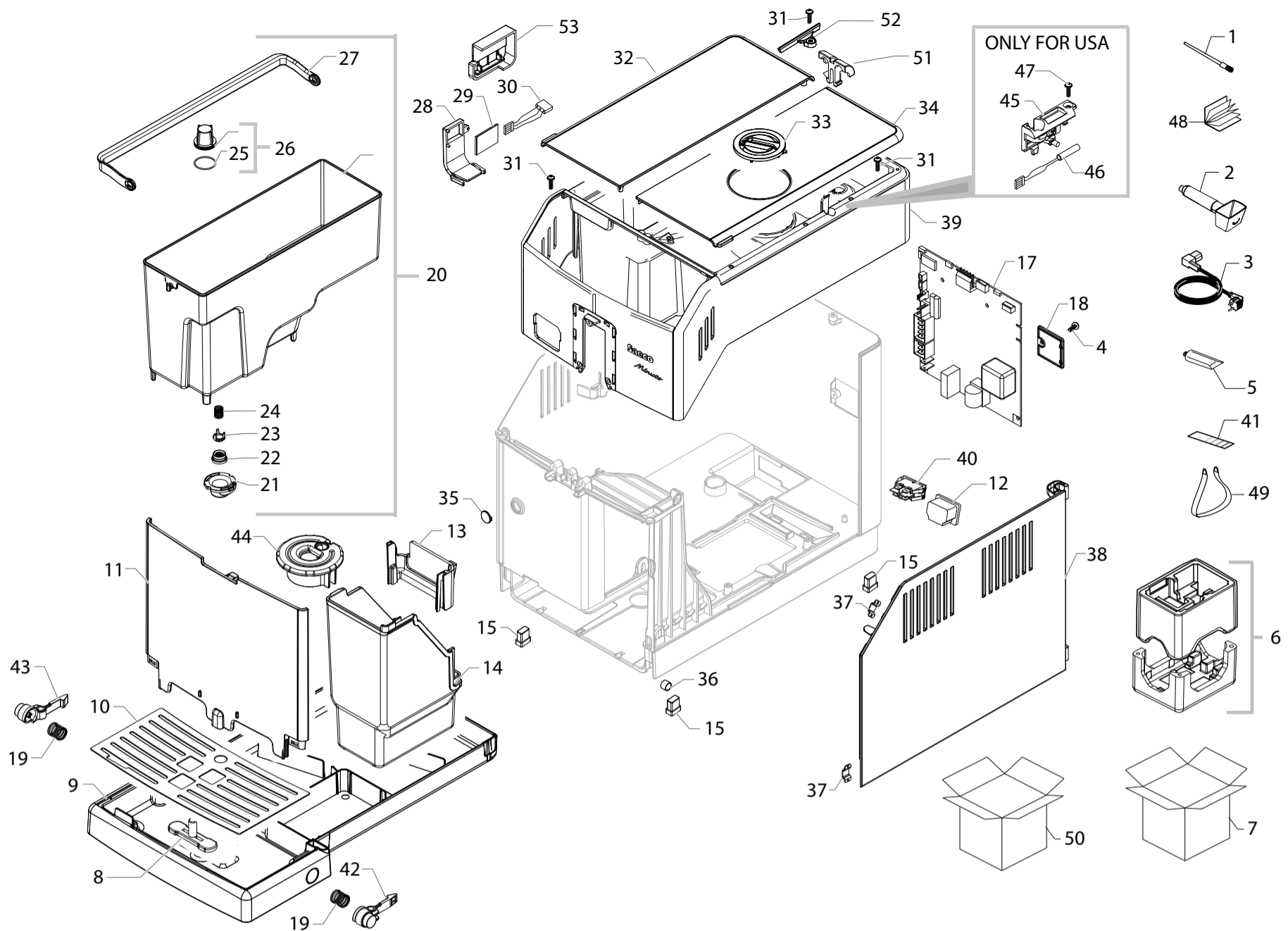


Cod.10004364-882876306470-6309010-10004418  
 Cod.882876318150-6319010-6321100-6331010  
 Cod.10004419-882886711010-6712010

POS	CODE	12NC	DESCRIPTION	NOTE	POS	CODE	12NC	DESCRIPTION	NOTE
01	127390100	996530011867	BRUSH FOR CLEANING		18		421944041561	RED REAR CASING PROGRAM.INSERT NPR	HD8867/12
02		421944033301	BLK ABS COFFEE MEASURE SMART		19	11000759	996530000487	HOT WATER TUBE SPRING P124	
03		421946001591	BLK POWER CABLE SCHUKO L=800		20	17001363	996530073476	NAT/GREY WATER CONTAINER SMR ASSY.	
	183970350	996530025882	BLACK POWER CABLE UK L=1200	HD8763/18	21	17001366	996530073463	BLACK LID FOR DUCKBILL VALVE SMR	
	183921950	996530025843	BLK POWER CABLE SJT3 USA UL L=1200	HD8773/47	22	11003671	996530001829	TRANSP.VALVE FOR WATER CONTAINER P0049	
	11001985	996530001089	BLK POWER CABLE KOREA L=1200		23		421941157852	GRY WATER CONTAINER VALVE INSERT P0049	
04	129913202	996530013156	SCREW TCB TORX 10 3X8 PLAST.ZN-B		24	11003672	996530001831	SS SPRING FOR WATER CONTAIN.VALVE P0049	
05		421946017941	KLUBERLUB NH1 11-222 TUBE 5GR.		25	140328461	996530013571	OR ORM 0190-10 EPDM	
06		421940812921	KIT PS-E INSERT FOR BOX SMR		26	224640200	996530029115	WHITE WATER CONTAINER EXT.FILTER ASSY.	WITH POS. 25
07		421946015671	DISPL.BOX V3 SMR/P-H-T SAE MINUTO		27	17001322	996530073442	BLACK WATER CONTAINER HANDLE SMR	
		421944016091	DISPL.BOX SMR/TS SAE MINUTO CAPP.USA	HD8773/47	28	17001474	996530073436	BLACK WATER LEVEL SENSOR SUPPORT SMR	
08		421941304791	RED/3003 FLOAT FOR DRIP TRAY XSM		29	11003232	996530001522	AS.CPU+SW WATER LEVEL SENSOR V2	KEEP FOR 120v
09		421944056171	G/BLK DRIP TRAY SMRG/T ASSY				421941306721	CPU+SW WATER LEVEL SENSOR V3 ASSY.	
10	17002111	996530073645	SB/SS GRATE FOR DRIP TRAY SMR/T	HD8773/47				<b>FOR 230V - UP TO S/N TW901436526726</b>	
		421944034471	BA/SS GRATE FOR DRIP TRAY SMR/T					<b>FOR 230V - FROM S/N TW901436526727</b>	
11		421944014691	M/BLK DRIP TRAY INSERT V2 SMR	HD8763/01-09-18	30		421946000021	3POLES CONNECTOR WATER LEVEL SMR UL	
		421944014751	CRC DRIP TRAY INSERT V2 SMR		31	12001728	996530070321	SCREW TCB TORX 10 3,5X12 PLAST.SS	
			HD8763/11-19-HD8773/47		32	17001209	996530073425	TRANSP/GREY WATER CONTAINER LID SMR	
		421944038991	G/ANT DRIP TRAY INSERT V2 SMR	HD8867/11			421944025451	BLK WATER CONTAINER LID V2 SMR	
		421944041491	RED DRIP TRAY INSERT SMR	HD8867/12				<b>FROM S/N TW901423325762</b>	
		421944035401	CRC/L DRIP TRAY INSERT V2 SMR	HD8763/31			421944039011	G/ANTWATER CONTAINER LID V2 SMR	HD8867/11
12	12000280	996530007788	CUP SOCKET EN 60320 C 13				<b>421944041541</b>	<b>RED WATER CONTAINER LID SMR</b>	HD8867/12
13	17001005	996530073483	BLACK DUMP BOX INSERT NPR		33	11031477	996530073487	TRANSP/GREY GROUND COFFEE HOPPER LID NPR	
14		421944060591	BLK DUMP BOX V2 SMR		34		421944008211	BLK BEAN COF.CONT.LID W/SEAL SMR/T	
15	17001556	996530073468	TRANSP.SILICONE FOOT SMR					<b>UP TO S/N TW901423325761</b>	
17		421941308231	KIT SPARES CPU+SW H2S3 SMR 230V ASSY.	230V			421944025441	BLK BEAN COF.CONT.LID V2 SMR/B-H-P	
			DON'T USE FOR HD8763/31					<b>FROM S/N TW901423325762</b>	
			FOR HD8763/01-06-09-11-18-19-21				421944016001	BLK BEAN COF.CONT.LID SMR/TS ASSY.	HD8773/47
		421941308281	KIT SPARES CPU+SW H2S4 SMR/PRM 230V ASSY.	230V				<b>UP TO S/N TW901423325761</b>	
			ALWAYS VALID FOR HD8763/31				421944027571	BLK BEAN COF.CONT.LID V2 SMR/HS ASSY.	HD8773/47
			FOR HD8763/01-06-09-11-18-19-21					<b>FROM S/N TW901423325762</b>	
17		421941307221	CPU+SW SMR/TL 230V ASSY.	HD8867/11-12	34		421944039001	G/ANT BEAN COF.CONT.LID V2 SMR/B-H-P	HD8867/11
		421941302461	CPU+SW SMR 120V NA ASSY.	HD8773/47			421944041521	RED BEAN COF.CONT.LID W/SEAL SMR/T	HD8867/12
18	17001484	996530068728	MATT/BLK REAR CASING PROGRAM.INSERT NPR		35	11031523	996530073462	BLACK INFRAREDS PLATE RYL	
	11031663	996530073499	CRC REAR CASING PROGRAM.INSERT NPR		36	9161.111	996530050555	MAGNET FOR FLOAT SUPERAUT.	
		421944035411	CRC/L REAR CASING PROGRAM.INSERT NPR	HD8763/31	37	11013220	996530069857	STEEL PLATE FOR DOOR MAGNET XSM	
		421944034441	G/ANT REAR CASING PROGRAM.INSERT NPR	HD8867/11	38	17001065	996530073429	MATT/BLACK RIGHT SIDE DOOR SMR	HD8763/01-09-18



MINUTO CAPPUCINO



HD8763/01-06-09-11  
 HD8763/18-19-21-31  
 HD8773/47 HD8867/11-12

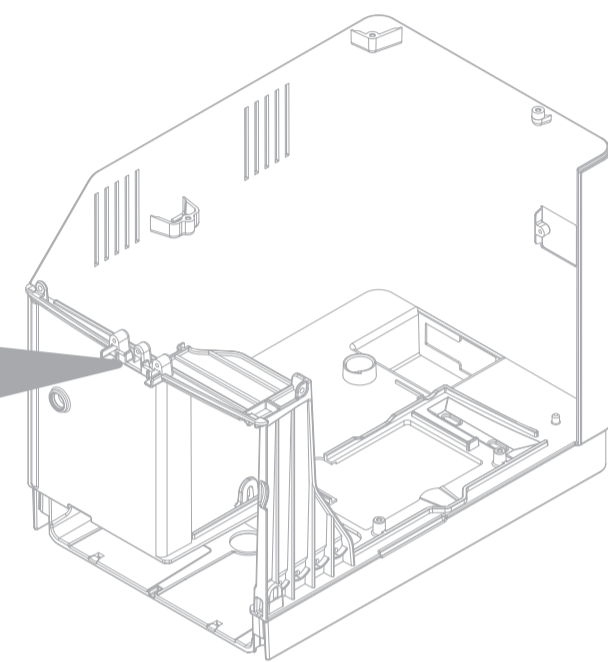
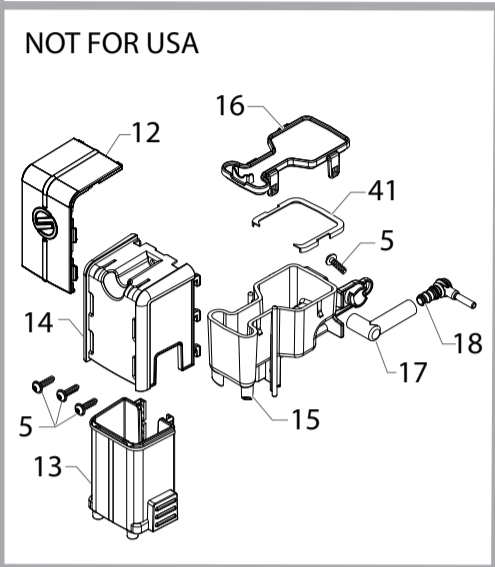
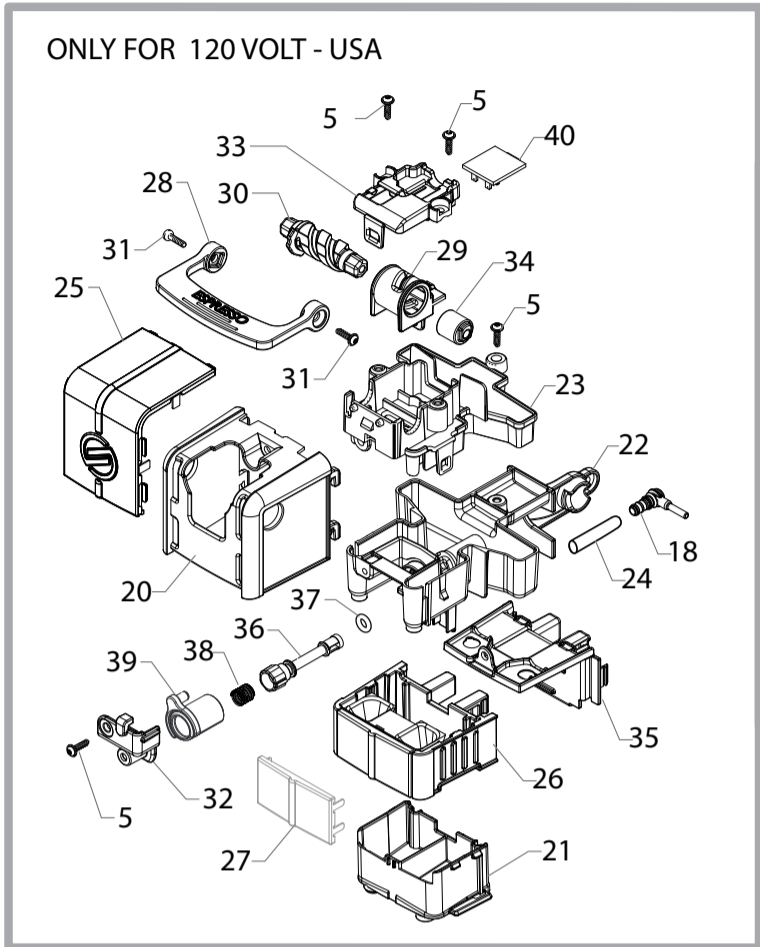
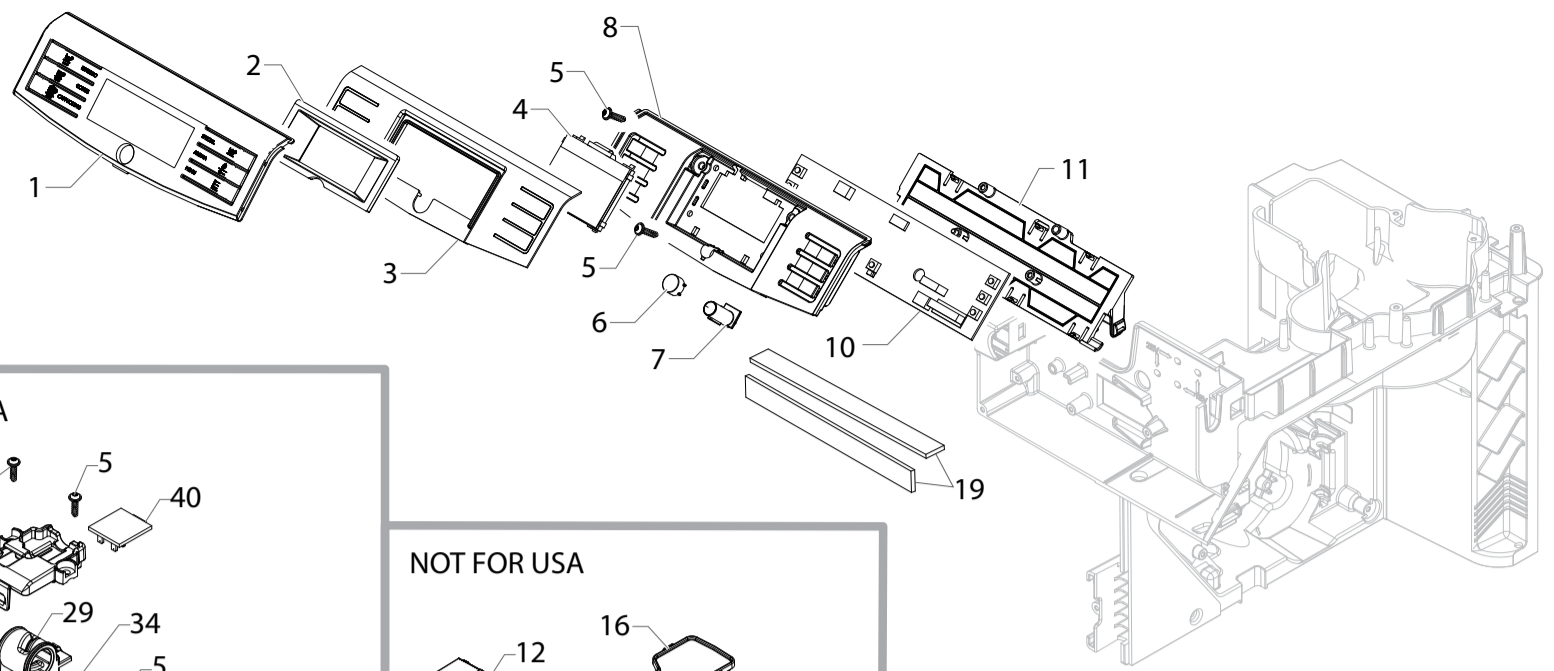


Cod.10004364-882876306470-6309010-10004418  
 Cod.882876318150-6319010-6321100-6331010  
 Cod.10004419-882886711010-6712010

POS	CODE	12NC	DESCRIPTION	NOTE	POS	CODE	12NC	DESCRIPTION	NOTE
38	11031665	996530073502	CRC RIGHT SIDE DOOR SMR HD8763/11-19 - HD8773/47		50		421944014401	WHT EXTERNAL BOX SMR SAE MINUTO	HD8773/47
		421944035421	CRC/L RIGHT SIDE DOOR SMR	HD8763/31	51		421944023921	BLK LIDS FIXING INSERT SMR	
		421944039051	G/ANT RIGHT SIDE DOOR SMR	HD8867/11	52		421944040451	BLK CONT.SEP.INSERT SMR	
		421944041551	RED RIGHT SIDE DOOR SMR	HD8867/12	53		421944006871	GRY WATER LEVEL SENSOR COVER SMR	
39	17001951	996530073646	MATT/BLK UPPER COVER CASING S/SCR.SMR/T <b>UP TO S/N TW901423325761</b>	HD8763/01-09-18					
		421944027141	M/BLK UPP.CASING COVER V3 S/SCR.SMR/T <b>FROM S/N TW901423325762</b>	HD8763/01-09-18					
39		421941306211	CRC UPP.CASING COVER S/SCR.SMR/T <b>UP TO S/N TW901423325761</b>	HD8763/11-19					
		421944027151	CRC UPP.CASING COVER V3 S/SCR.SMR/T <b>FROM S/N TW901423325762</b>	HD8763/11-19					
39		421944016041	CRC UPP.CASING COVER V2 S/SCR.SMR/T <b>UP TO S/N TW901423325761</b>	HD8773/47					
		421944027401	CRC UPP.CASING COVER V4 S/SCR.SMR/T <b>FROM S/N TW901423325762</b>	HD8773/47					
		421944035431	CRC/L UPP.CASING COVER V3 S/SCR.SMR/T	HD8763/31					
		421944039141	G/ANT UPP.CASING COVER V3 S/SCR.SMR/T	HD8867/11					
		421944041581	RED UPP.CASING COVER S/SCR.SMR/T	HD8867/12					
40		242212625104	SWI POW 2P 12A 250V FASTON GP12H B						
		242212625106	SWI POW 2P 10A 250V FASTON 8500 B	HD8773/47					
41	0301.961	996530039604	STICKER FOR WATER HARDNESS TEST						
42	17001506	996530073635	BLK DRIP TRAY LOCKING RIGHT INSERT SMR/T						
43	17001507	996530073642	BLK DRIP TRAY LOCKING LEFT INSERT SMR/T						
44	17000674	996530073637	BLACK WATER DRAINAGE CONVEYOR SMR/B-T						
45		421944009411	BLK REED SUPPORT SMR	HD8773/47					
46	17800442	996530073661	2P.CONN.SENS.REED DUMP BOX CST UL ASSY.	HD8773/47					
47	12000895	996530007951	SCREW TSP TORX 10 3X10 PLAST.SS	HD8773/47					
48		421946005581	MANUAL SAE HD8773 SMR/TS GB	HD8773/47					
		421946005591	MANUAL SAE HD8773 SMR/TS FR	HD8773/47					
48		421946005601	MANUAL SAE HD8773 SMR/TS ES	HD8773/47					
		421946014431	MANUAL SAE HD8763 V2 SMR/T DE	HD8763/01-11-31					
		421946014471	MANUAL SAE HD8763 V2 SMR/T GB	HD8763/01-11-31					
		421946018511	MANUAL SAE HD8867 V2 SMR/TL DE	HD8867/11-12					
		421946018521	MANUAL SAE HD8867 V2 SMR/T GB	HD8867/11-12					
49	179990300	996530022764	BAND FOR LIFTING L=1550MM H=300MM	HD8773/47					



MINUTO CAPPUCINO



HD8763/01-06-09-11  
 HD8763/18-19-21-31  
 HD8773/47 HD8867/11-12

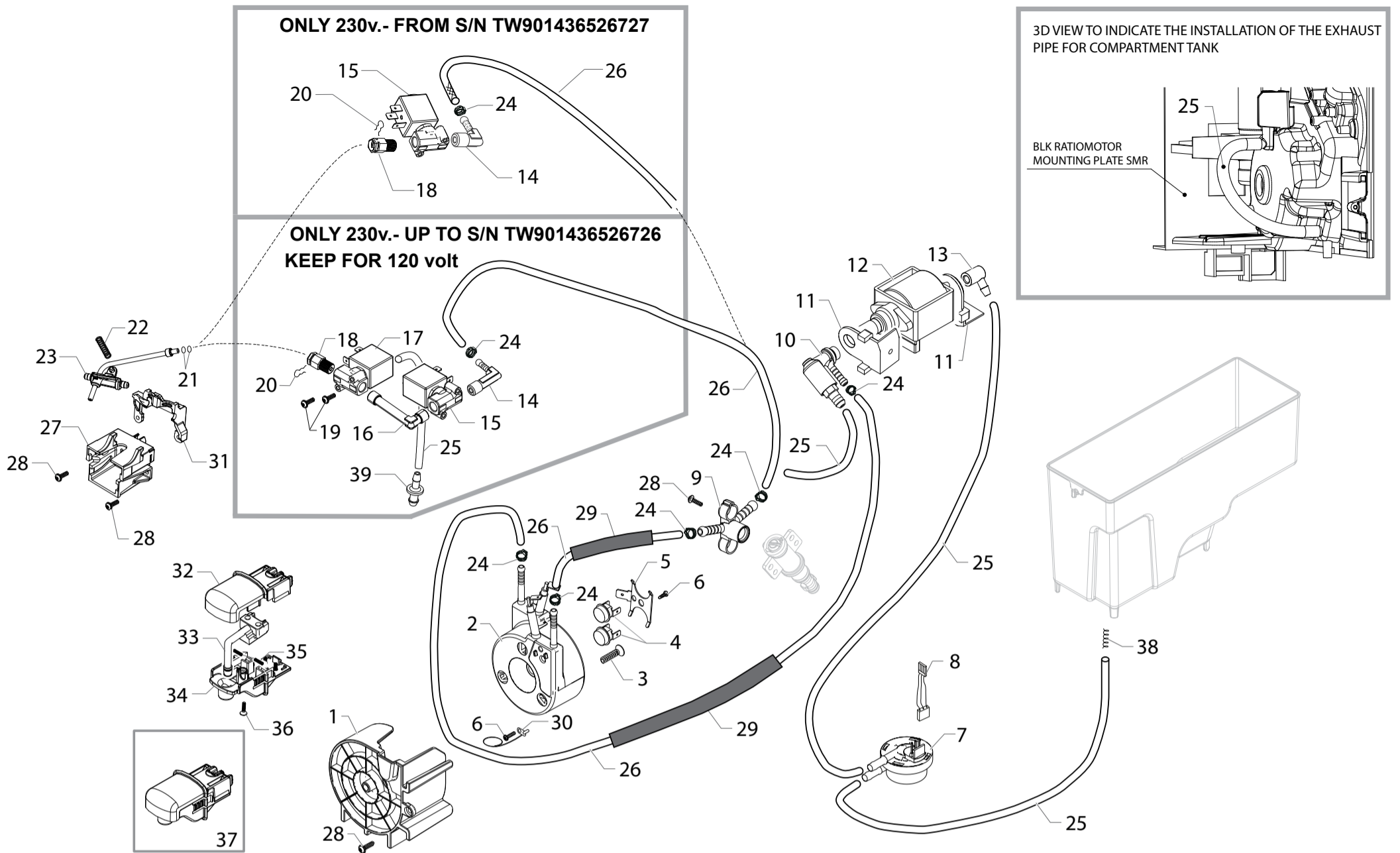


Cod.10004364-882876306470-6309010-10004418  
 Cod.882876318150-6319010-6321100-6331010  
 Cod.10004419-882886711010-6712010

POS	CODE	12NC	DESCRIPTION	NOTE	POS	CODE	12NC	DESCRIPTION	NOTE
01	11031248	996530073655	DISPLAY FRONT PANEL S/SCR.BLACK SMR/T	KEEP FOR 120v	30		421941292691	BLK CREAM ADJUSTMENT SCREW SMR	HD8773/47
		421944035071	DISPLAY FRONT PANEL S/SCR.BLK V3 SMR/T		31	WGA4326038000	996530063583	SCREW TSP 3,5X16 INOX	HD8773/47
		421944039111	DISPLAY FRONT PANEL S/SCR.BLK V3 SMR/TL	HD8867/11-12	32		421941293051	BLK CREAM ADJUSTMENT KNOB INSERT SMR	HD8773/47
		421944010101	DISPLAY FRONT PANEL S/SCR.BLK V2 SMR/T	HD8773/47	33		421944040361	ADJUSTMENT CREAM BOARD SUPP.SMR	HD8773/47
02	17001270	996530073484	BLACK DISPLAY FRAME SMR		34		421941293041	BLK CREAM ADJUSTMENT LEVER INSERT SMR	HD8773/47
03		421944025241	BLK FRONT PANEL MEMBRANE V3 SMR/H-P-T		35		421944007481	BLK COF.DISPENS.LOWER FRONT PLATE SMR	HD8773/47
04		421941300941	DISPLAY LCD 128X64 SMR		36		421944007491	WHT CREAM ADJUSTMENT SHAFT SMR	HD8773/47
05	12000450	996530007819	SCREW TCBR TORX 10 3,5X12 PLAST.ZN-N		37	140326661	996530013546	OR ORM 0040-20 BLACK EPDM	HD8773/47
06	11030953	996530073434	TRANSP.STAND-BY BUTTON S/SCR.SMR		38	126772518	996530011711	SS CREAM ADJUSTMENT SHAFT SPRING	HD8773/47
07	17002075	996530073441	WHITE STAND-BY BUTTON LIGHT GUIDE SMR		39		421941292331	BLK CREAM ADJUSTMENT KNOB SMR	HD8773/47
08		421944017321	BLK DISPLAY SUPPORT V2 SMR/H-P-T ASSY.		40		421941300301	SELECTION DRIP-ESPRESSO BOARD SMR	HD8773/47
10		421940812951	KIT SPARES KYB - DISPLAY SMR 230V		41		421944017651	BLK COFFEE DISPENSER BODY SEAL SMR	
		421940813011	KIT SPARES KYB - DISPLAY SMR 120V	HD8773/47					
11	17000704	996530073485	BLACK DISPLAY KEYBOARD SUPPORT SMR						
12	17002122	996530073486	SS COFFEE DISPENS.FRONT PLATE SMR ASSY.	KEEP FOR 120v					
		421944031751	BA SS COF.DISPENS.FRONT PLATE SMR ASSY.						
13		421944008261	M/BLK COF.DISPEN.MOBILE PART SMR ASSY.						
14	17002059	996530073432	MATT/BLACK COFFEE DISPENSER LID SMR						
15	17001022	996530073451	BLACK COFFEE DISPENSER BODY SMR						
16		421944017631	BLK COFFEE DISPENSER BODY LID V3 SMR						
17	17000955	996530073471	TRANS.BREW UNIT COF.OUTLET CONN.TUBE SMR						
18	17001849	996530073464	BLK BREW UNIT COFFEE OUTLET CONNECT.SMR						
19		421944008251	BLK ADH.AERSTOP SMR						
20		421944007441	BLK COFFEE DISPENSER LID V2 SMR	HD8773/47					
21		421944009911	M/BLK COF.DISPEN.MOBILE PART V2 SMR ASSY	HD8773/47					
22		421941292671	BLK COFFEE DISPENSER BODY V2 SMR	HD8773/47					
23		421941292661	BLK COFFEE DISPENSER BODY LID V2 SMR	HD8773/47					
24	229369000	996530031661	SILICONE TUBE 5X8 70SH L= 45 MM	HD8773/47					
25		421944010071	SS COF.DISPENS.FRONT PLATE V2 SMR ASSY.	HD8773/47					
26		421944009991	BLK COF.DISPEN.MOBILE PART SUPP.SMR ASSY	HD8773/47					
27		NOT AVAILABLE	SS COF.DISPEN.LOWER FRON.PLATE COVER SMR	SEE POS. 26					
28		421941302991	CHROM.CREAM ADJUSTMENT LEVER SMR	HD8773/47					
29		421941292681	BLK CREAM ADJUSTMENT SLIDE SMR	HD8773/47					



MINUTO CAPPUCINO



HD8763/01-06-09-11  
 HD8763/18-19-21-31  
 HD8773/47 HD8867/11-12

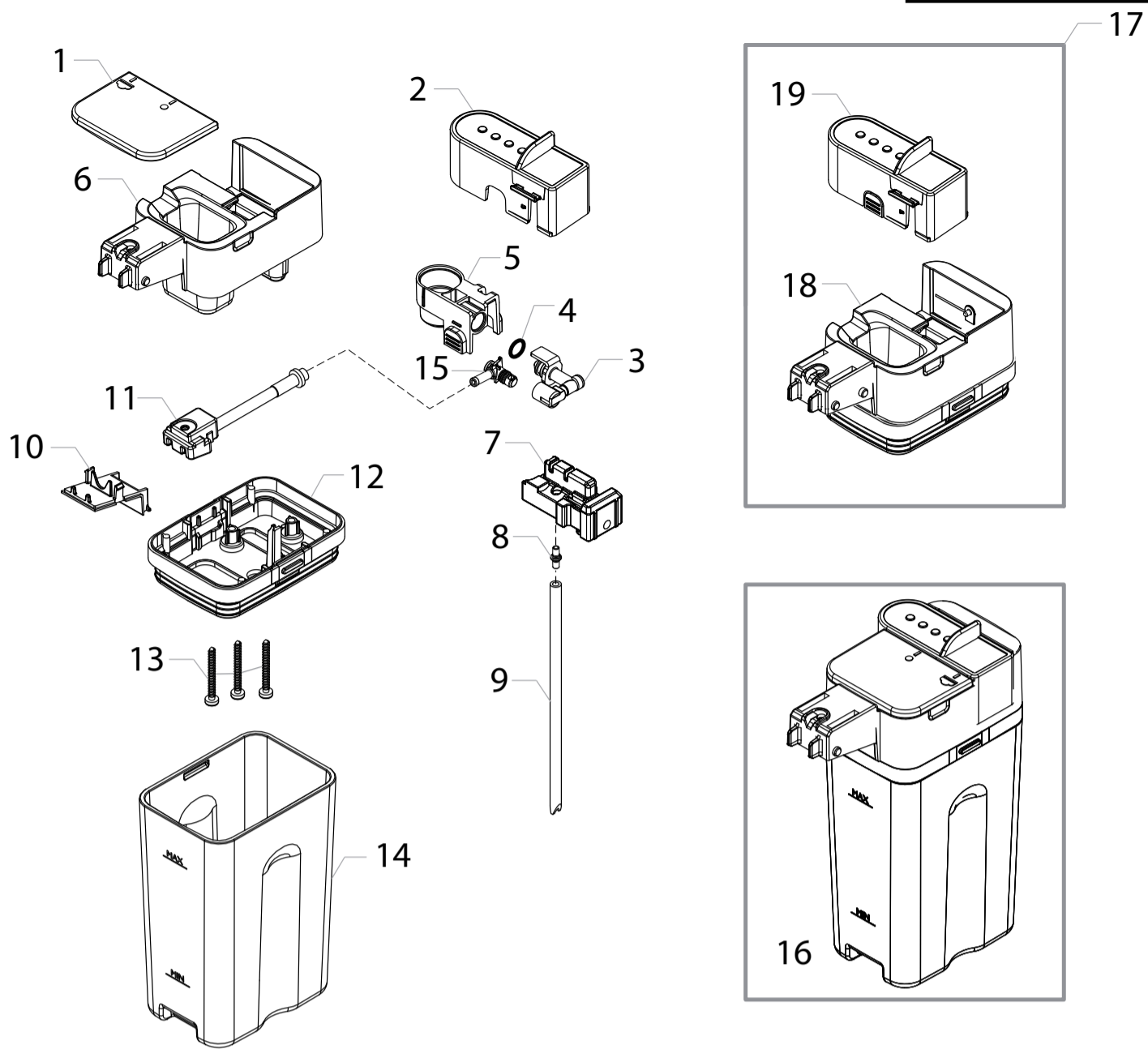


Cod.10004364-882876306470-6309010-10004418  
 Cod.882876318150-6319010-6321100-6331010  
 Cod.10004419-882886711010-6712010

POS	CODE	12NC	DESCRIPTION	NOTE	POS	CODE	12NC	DESCRIPTION	NOTE
01		421944040831	BLK SLIM TUB.BOILER SUPPORT V2 SMR					<b>FOR 230V - FROM S/N TW901436526727</b>	
02	17000346	996530068751	HP/SLIM TUB.BOILER ASSY.	230V-1900W	24	12000892	996530007947	OETIKER CLAMP D=9,5 16700004	
	11023153	996530007586	SLIM TUB.BOILER 1300W 120V ASSY.	120V 1300W	25	JS01.022	996530057357	SILICONE TUBE 5X10 60SH	IN ROLL
03	12001280	996530008024	SCREW TSP TORX 10 5X20 PLAST.ZN-B		26	16000380	996530009505	5X8,9 SILICONE TUBE	IN ROLL
	12001369	996530008039	SCREW TSP TORX 10 5X35 PLAST.SS		27		421944008431	BLK CARAFE INSERT BODY SMR/T	
04	12001033	996530007973	THERMOSTAT ONE SHOT 190°		28	12000450	996530007819	SCREW TCB TORX 10 3,5X12 PLAST.ZN-N	
05	11001751	996530000997	TUB.BOILER V3 UPPER THERM.FIXING SPRING		29	16000540	996530009523	TRANSPAR.11X12,8 SILICONE TUBE	IN ROLL
06	12001715	996530069758	SCREW TCB TORX 20 M4X8 AUTOFORMING ZN-B		30	17800628	996530073428	TEMPERATURE SENSOR NTC UL L=550MM	
07	NV99.099	996530059843	TURBINE D=1,2 932-8521/00 ASSY.		31		421944008851	BLK CARAFE GRAFT BODY INSERT SMR/T	
08	17800686	996530073488	3POLES CONNECTOR FLOWMETER SMR UL		32		421944009041	M/BLK UPPER BODY HOT WATER DISP.SMR/T	
09		421941279742	BLK CONNECTOR FOR PIN BOILER V2 SMR		33	17001215	996530069842	BLACK HOT WATER DISPENSER TUBE NPR/T	
10	11024863	996530068178	L-F/BR.SAFETY VALVE 16-18 BAR ASSY.		34		421944009011	BLK LOWER BODY HOT WATER DISPENS.SMR/T	
11	149205850	996530018056	BLACK TYPE ULKA PUMP W/BEVEL SUPPORT		35	11005395	996530002873	STEEL MILK CONTAINER SUPPORT SPRING P124	
12	12000140	996530007753	ULKA PUMP EP5/S GW	230V-50HZ	36	129913902	996530013164	SCREW TCB TORX 10 3X12 PLAST.ZN-B	
	12000142	996530007754	ULKA PUMP EAP5/S	120V-60HZ	37		421941308711	KIT SP.BLK HOT W.DISP.SMR/T	
	12000182	996530007782	ULKA PUMP EP5/S GW	220V-60HZ	38	0701.081	996530073439	SPRING FOR TUBE PRODUCT 1	
13	11002149	996530001186	BLACK PUMP OUTLET 90°CONNECTOR P0049/A		39	17001060	996530073636	BLACK WATER DRAINAGE CONNECTOR SMR/B-T	KEEP FOR 120V
14	17001269	996530070397	L-F/BRASS 90°CONNECT.FOR FAUCET EV.NPR/T	KEEP FOR 120v				<b>FOR 230V - UP TO S/N TW901436526726</b>	
	11024469	996530067632	L-F/BRASS CONNECT.FOR BOILER AURA				421944051651	HP/SLIM TUB.BOILER V2 SMR 1900W 230V AS.	COMPLETE
			<b>FOR 230V - FROM S/N TW901436526727</b>				421944010421	SLIM TUB.BOILER SMR 1300W 120V ASSY.	COMPLETE
15	11024038	996530067667	BRASS 2WAY EV 21JN1RRV20-XT+LBV05024CU	KEEP FOR 120v					
			<b>FOR 230V - UP TO S/N TW901436526726</b>						
		421944043361	2WAY EV OT57 G1/8 FX G1/8F.24V DC -D						
			<b>FOR 230V - FROM S/N TW901436526727</b>						
16	11031400	996530073514	L-F/BRASS 90°CONNECTOR V2 FOR FAUCET EV.	KEEP FOR 120v					
			<b>FOR 230V - UP TO S/N TW901436526726</b>						
17	11024039	996530067613	3WAY EV OT57 (31JN1XRV20-SXT+LBV05024CU)	KEEP FOR 120v					
			<b>FOR 230V - UP TO S/N TW901436526726</b>						
18	11027572	996530072695	L-F/BRASS CONNECTOR 1/8" FOR TUBE D=4						
19	129823802	996530013077	TCB SCREW M4X8 UNI 7687 ZNP						
20	9011.144	996530048885	SS FORK FOR TUBE D=4						
21	140328059	996530013564	OR 2015 SILICONE PTFE/FDA						
22	17000006	996530009559	TWO WAY TEFLON TUBES SUPPORT SPRING MYB9						
23		421944009801	WHT PREFORM.TEFLON TUBE SUPP.SMR/T ASSY.	KEEP FOR 120v					
			<b>FOR 230V - UP TO S/N TW901436526726</b>						
		421944029721	WHT PREFORM.TEFLON TUBE SUP.145 SMR/T AS						



MINUTO CAPPUCINO



HD8763/01-06-09-11  
 HD8763/18-19-21-31  
 HD8773/47 HD8867/11-12

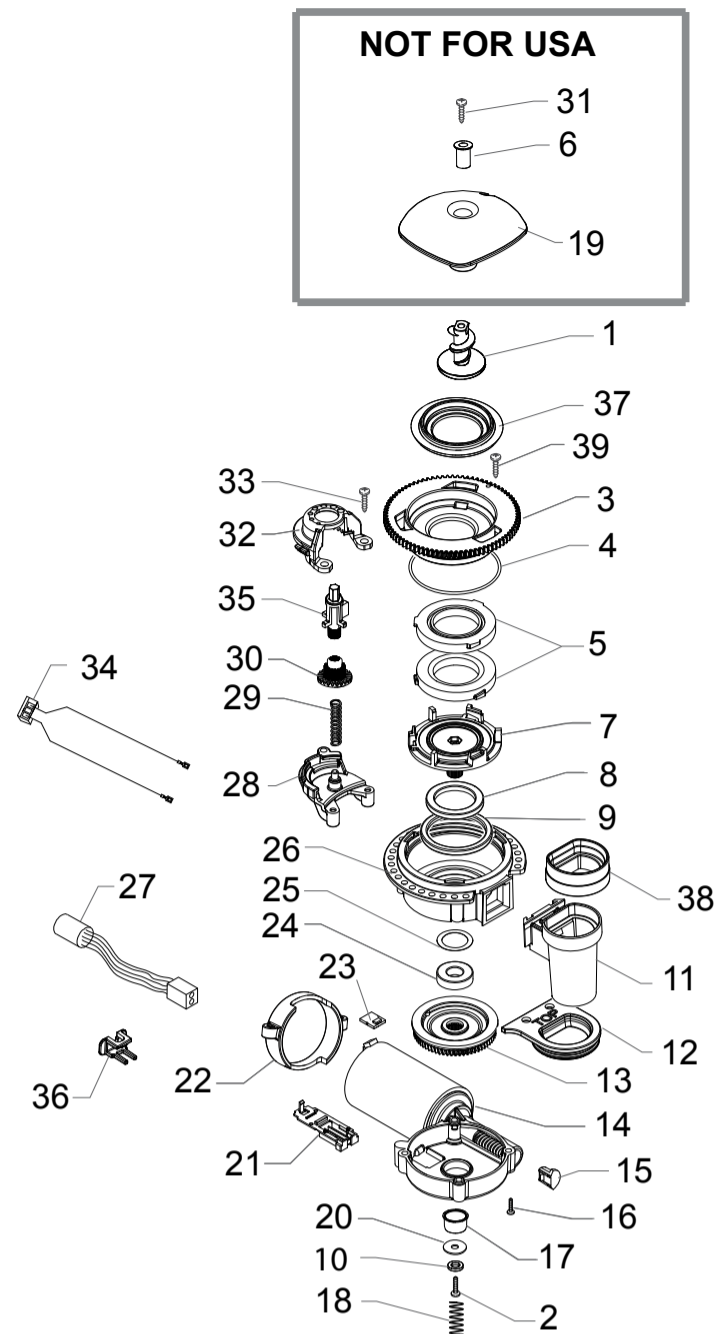


Cod.10004364-882876306470-6309010-10004418  
 Cod.882876318150-6319010-6321100-6331010  
 Cod.10004419-882886711010-6712010

POS	CODE	12NC	DESCRIPTION	NOTE	POS	CODE	12NC	DESCRIPTION	NOTE
01		421944007561	BLK CARAFE COVER PLUG SMR/T						
02	17002208	996530073643	MATT/BLK CARAFE CAPPUC.COVER SMR/T UP TO S/N TW901430450081						
		<b>NOT AVAILABLE</b>	<b>FROM S/N TW901430450082</b>	<b>SEE POS. 19</b>					
03		421944035641	BLK CARAF.OUT.STEAM CON.D1,3 V2 SMR/T AS						
04	NM01.028	996530059392	O-RING 106 SILICONE						
05	17001985	996530073573	BLACK CARAFE CAPPUC.CASING HGO/T						
06		<b>NOT AVAILABLE</b>	<b>BLACK UPPER COVER PART CARAFE SMR/T</b> <b>UP TO S/N TW901430450081</b>	<b>SEE POS. 17</b>					
		<b>NOT AVAILABLE</b>	<b>FROM S/N TW901430450082</b>	<b>SEE POS. 18</b>					
07	17002052	996530073606	BLK CARAFE MILK INLET BODY HGO/T UP TO S/N TW901430450081						
		<b>NOT AVAILABLE</b>	<b>FROM S/N TW901430450082</b>	<b>SEE POS. 19</b>					
08	17001362	996530068626	BLK MILK INTAKE TUBE CONNECT.INS.V2 RYL						
09	11012814	996530067584	SILICONE TUBE 3,5X6 L=140 MM						
10		421944030721	BLK CARAF.REAR COVER INSERT V2 NOR NPR/T						
11	17002211	996530073579	BLACK CARAFE MILK DISPENSER TUBE SMR/T						
12		421944007641	BLK CARAFE LOWER COVER PART SMR/T UP TO S/N TW901430450081						
		<b>NOT AVAILABLE</b>	<b>FROM S/N TW901430450082</b>	<b>SEE POS. 18</b>					
13	12000897	996530007953	SCREW TCB TORX 10 3,5X20 PLAST.SS						
14		421944032881	TRANSP.D/GREY PH-11514 CARAFE V2 HGO/T						
15		421944006961	BLK CARAFE STEAM INPUT CONN.SMR/T ASSY.						
16		421944029452	TRANSP/BLK GEN.CARAFE SLID.V2 SMR/T ASSY						
17		421940813181	KIT SPARES BLK UPPER COV.PAR.CARAF.SMR/T UP TO S/N. TW901430450081						
18		421941307041	KIT SPARES BLK UPP.COV.SERVO CAR.SMR/T/ FROM S/N. TW901430450082						
19		421941307191	KIT SPAR.BLK CAP.COV.SERVO CAR.SMR/T AS FROM S/N. TW901430450082						



MINUTO CAPPUCINO



**Saeco**  
INTERNATIONAL GROUP

HD8763/01-06-09-11  
HD8763/18-19-21-31  
HD8773/47 HD8867/11-12



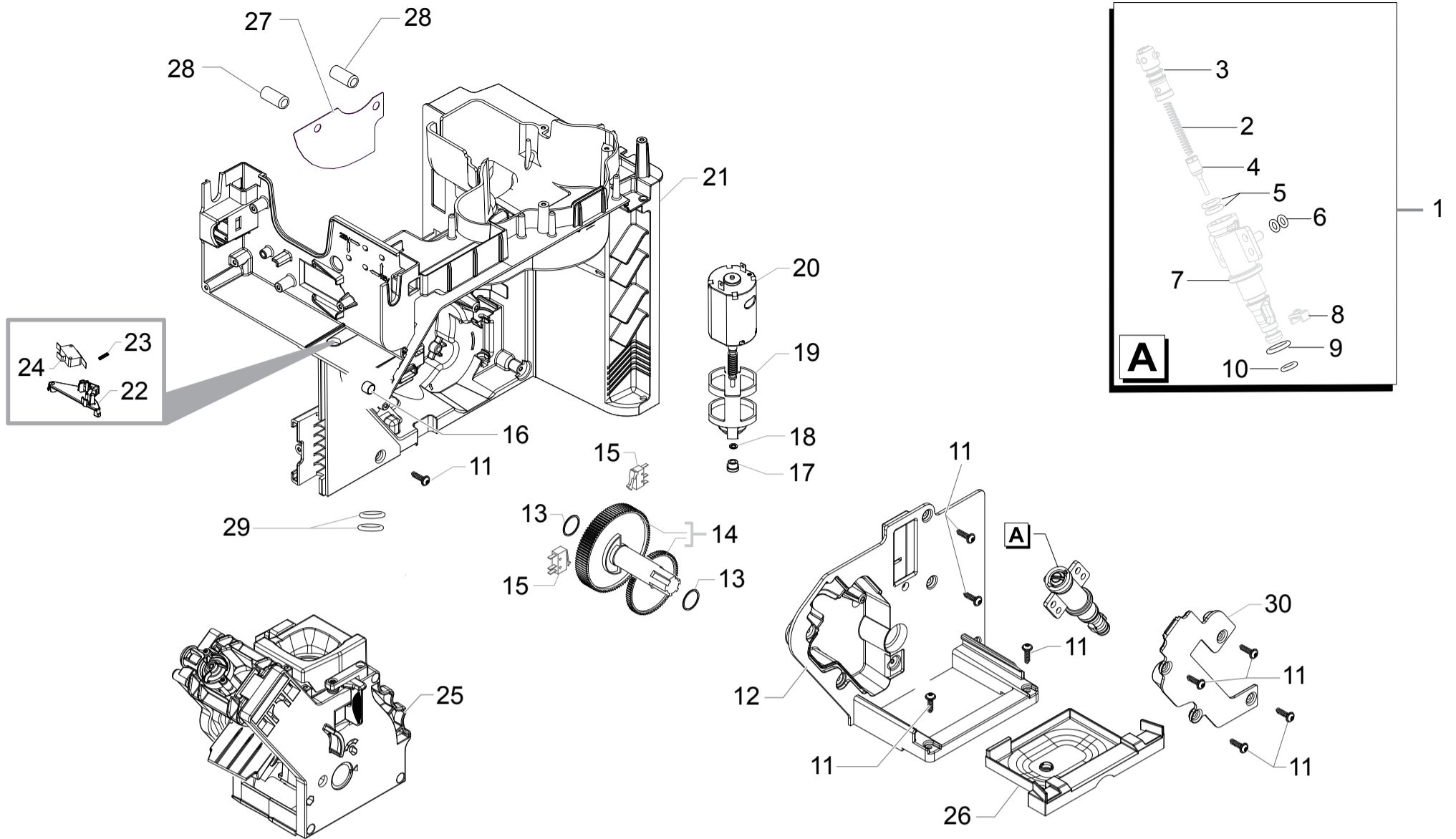
Cod.10004364-882876306470-6309010-10004418  
Cod.882876318150-6319010-6321100-6331010  
Cod.10004419-882886711010-6712010

POS	CODE	12NC	DESCRIPTION	NOTE	POS	CODE	12NC	DESCRIPTION	NOTE
01	11010031	996530005586	TEA/ZAMA INCREASE SCREW GRINDER		37		421941085872	COFFEE GRINDER SEAL P119 GRY 7035	
02	129574802	996530012928	SCREW TCB TORX 20 M4X30 ZN-B		38	145854360	996530015958	BLK GROUND COFFEE CONT.UPPER SEAL SMART1	
03		421944053581	BLK COF.GRINDER UPPER GRINDER SUPPORT V3		39	12001622	996530068586	SCREW TCB TORX B 3,5X9,5 SHEET BLK ZINC	
04	140328960	996530013577	OR ORM 0530-15 NBR FDA				421944054581	GEN.MOT.COF.GRINDER V2 SMR/H-P-T AS	230V
05	146520100	996530016342	BAKED CLAY GRINDER 48X28				421944054601	GEN.MOT.COF.GRINDER V2 SMR/H-P-T AS	120V
06	11012466	996530006412	BRASS BUSH BEAN CONT.FINGER PROTEC.P0057						
07	149198350	996530017952	BLK LOWER COFFEEGRINDER GRINDER SUPPORT						
08	123030300	996530011183	AXIAL BEARING EKKO 342.35252						
09	140360500	996530013597	FELT RING 45,4X39,4X4						
10	128310402	996530012341	GALV.WASHER UNI 8842 A4						
11	11026355	996530068049	BLK GROUND COFF.OUTLET CONVEYOR V4 ASSY.						
12		421944060561	GRY GROUND COF.CONT.LOWER SEAL V2 SMART1						
13	226000300	996530029609	GEAR SX Z=38 FOR GRINDER MOTION ASSY.						
14	11000513	996530000317	MOTOR COFFEEGRINDER V3.1 230V ASSY.	230V					
		421941305001	MOTOR COFFEEGRINDER V3.1 120V ASSY.	120V					
15	149214800	996530018139	MC V3 MOD=1,25 WORM SCREW CENTRING CAP						
16	129661702	996530012992	SCREW TCB TORX 3,5X30 PLAST.ZN-B						
17	11002873	996530001389	INSULATOR BUSH FOR GRINDER MOTOR P124						
18	11000597	996530000376	STEEL COF.GRINDER SUPPORT SPRING P124						
19	17001008	996530073467	TRANS.BEAN CONTAIN.FINGER PROTECT.SMR UL						
20	128381902	996530012375	STEEL FLAT WASHER DI=4,3 DE=14 SP=1,5						
21	149199050	996530017963	BLK SENSOR SUPPORT FOR COF.GRINDER MOTOR						
22	11000194	996530000115	BLACK COFFEEGRINDER MOTOR SUPPORT P124						
23	181540900	996530022784	ELECTR.BOARD WITH SENSOR HAL506 SF-K						
24	123030200	996530011182	RADIAL BEARING 61900.2RS1						
25	128381800	996530012374	STEEL CRINKLE WASHER 21,8X14X0,25						
26	142905450	996530015258	BLK UPPER BODY WITH COFFEE GROUND OUTLET						
27	17800687	996530073453	3POLES CONNECTOR MC SENSOR SMR UL						
28	11002613	996530001314	LOWER COFFEEGRINDER GEAR SUPPORT P124						
29	11002572	996530001308	COFFEEGRINDER REGULATION SPRING P124						
30	11003784	996530001907	COFFEE GRINDING ADJUSTMENT GEAR P0049						
31	U043.004	996530061808	ZN-B TCB SCREW M4X16						
32	11002508	996530001296	UPPER COFFEEGRINDER GEAR SUPPORT P124						
33	129914002	996530013165	SCREW TCB TORX 10 3,5X16 PLAST.ZN-B						
34	17800688	996530073454	2POLES CONNET.COFFEEGRINDER MOTOR SMR UL						
35		421944025161	YLW BEAN COFFEE GRINDER INSERT SMR						
36	17001921	996530072477	BLK WIRING FIX INSERT FOR GRINDER BOARD						

**Saeco**  
INTERNATIONAL GROUP

**MINUTO CAPPUCCINO**

TABLE 5/7



**Saeco**  
INTERNATIONAL GROUP

HD8763/01-06-09-11  
HD8763/18-19-21-31  
HD8773/47 HD8867/11-12



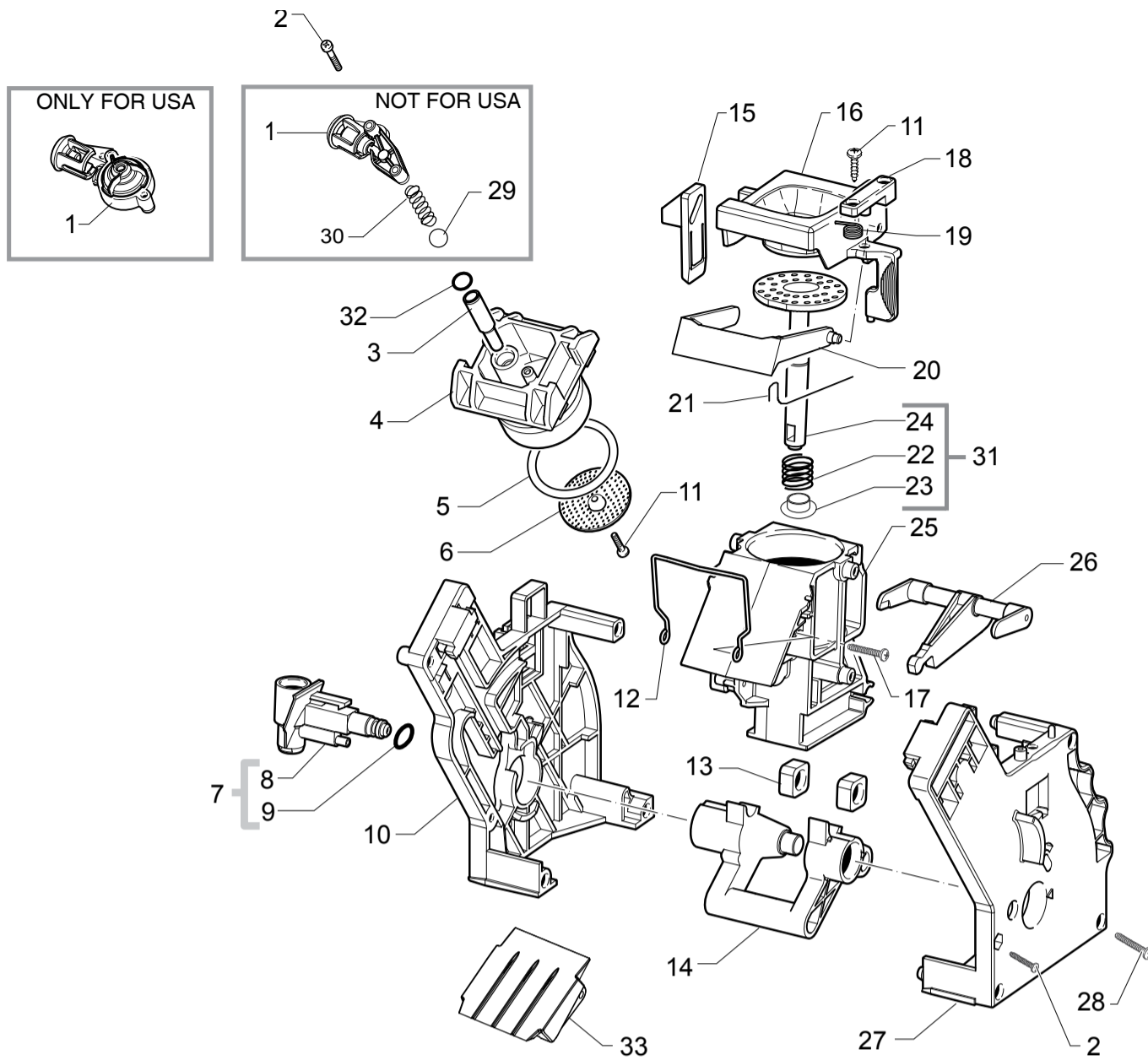
Cod.10004364-882876306470-6309010-10004418  
Cod.882876318150-6319010-6321100-6331010  
Cod.10004419-882886711010-6712010

POS	CODE	12NC	DESCRIPTION	NOTE	POS	CODE	12NC	DESCRIPTION	NOTE
01	11005060	996530002717	PIN V2 FOR BOILER P119 ASSY. <b>FOR 230V - UP TO S/N TW901436526726</b>	KEEP FOR 120v					
		421946011491	BLK PIN FOR BOILER VALVE 4BAR ASSY. <b>FOR 230V - FROM S/N TW901436526727</b>						
02		NOT AVAILABLE	SS SPRING FOR PIN						
03		NOT AVAILABLE	BLACK CAP V2 FOR PIN BOILER P119						
04		NOT AVAILABLE	TEA/BRASS PISTON L=20,9 ASSY.						
05		NOT AVAILABLE	OR ORM 0060-20 SILICONE PTFE/FDA						
06	140328059	996530013564	OR 2015 SILICONE PTFE/FDA						
07		NOT AVAILABLE	NAT.PIN V2 FOR BOILER P119						
08		NOT AVAILABLE	NATURAL CURSOR V2 FOR BOILER P119						
09	NM01.035	996530059399	OR ORM 0090-20 SILICONE						
10	NM01.057	996530059419	OR ORM 0050-20 IN SILICONE						
11	12001728	996530070321	SCREW TCBR TORX 10 3,5X12 PLAST.SS						
12	17001839	996530073444	BLK RATIOMOT.MOUNTING PLATE COVER SMR						
13	9161.132	996530050569	MYLAR WASHER FOR RATIOMOTOR						
14	20000900	996530009913	SPARES KIT GEARS FOR RATIOMOTOR V2						
15		421946025541	MICROSWITCH XC/SM1 V2						
16	9161.111	996530050555	MAGNET FOR FLOAT SUPERAUT.						
17	9121.046	996530049898	BRONZE SINTERED BUSH FOR MOTOR RATIOMOT.						
18	148380200	996530017424	BAKELIZZATE WASHER D=5,5						
19	9121.044	996530049896	ANTIVIBRATION FOR MOTOR						
20	11005214	996530002796	MOTOR FOR RATIOMOTOR P124 ASSY.						
21		421944043602	BLK RATIOMOTOR MOUNTING PLATE V2 SMRGAS						
22	17001508	996530073469	BLACK MICRO COMPENSATOR SMR						
23		421944006861	SPRING FOR MICRO COMPENSATOR SMR						
24	12001890	996530073209	MICROSWITCH XG/V3D						
25		421944036881	BLK BREW UNIT 8GR.8BAR V2 SMR <b>FOR 230V - UP TO S/N TW901436526726</b>						
		421944052401	BLK/YLW BREW UNIT 8GR.5BAR SMR <b>FOR 230V - FROM S/N TW901436526727</b>						
		421944052451	BLK/YLW BREW UNIT 8GR.8BAR V3 SBS SMR	HD8773/47 (120V)					
26		421944062701	BLK BREW UNIT DRAWER COFFEE V2 SMR						
27		421944004861	NOMEX INSULATE PROTECTION W=0,30 SMR	HD8773/47					
28		421944010451	SILICONE TUBE 3,5X6 L= 15 MM	HD8773/47					
29	DM0041/081	996530054245	O-RING 112 IN EPDM 70 SH						
30	17000730	996530074054	BLK BOILER SEAT PIN COVER SMR						

**Saeco**  
INTERNATIONAL GROUP

**MINUTO CAPPUCINO**

TABLE 6/7



HD8763/01-06-09-11  
 HD8763/18-19-21-31  
 HD8773/47 HD8867/11-12



Cod.10004364-882876306470-6309010-10004418  
 Cod.882876318150-6319010-6321100-6331010  
 Cod.10004419-882886711010-6712010

POS	CODE	12NC	DESCRIPTION	NOTE	POS	CODE	12NC	DESCRIPTION	NOTE
01		421944065221	BLK BREW UNIT COF.OUTLET SLEEVE SMR ASSY				421944036881	BLK BREW UNIT 8GR.8BAR V2 SMR	
	11002154	996530001192	SBS VALVE P124 ASSY.	HD8773/47				<b>FOR 230V - UP TO S/N TW901436526726</b>	
02	12000550	996530007838	SCREW TCB TORX 10 3X25 PLAST.SS				421944052401	BLK/YLW BREW UNIT 8GR.5BAR SMR	
03	11009276	996530005372	BLK COUNTER PISTON TUBE BREW UNIT S0053					<b>FOR 230V - FROM S/N TW901436526727</b>	
04	11001840	996530001046	BLACK COUNTER PISTON BREW UNIT 8GR.P124				421944052451	BLK/YLW BREW UNIT 8GR.8BAR V3 SBS SMR	HD8773/47 (120v)
05	NM01.044	996530059406	OR ORM 0320-40 SILICONE PTFE/FDA						
06	9161.268	996530050709	PERCOLATOR DE=35,8 ELFO						
07	20000440	996530009825	BLACK WATER INLET SLEEVE BREW UNIT ASSY.						
08	9161.064.050	996530050488	BLACK WATER INLET SLEEVE BREW UNIT ROYAL						
09	NM02.007	996530059441	OR 2025 IN TERMOIL						
10	9161.375.050	996530050832	BLACK BREW UNIT REAR PLATE SMART						
11	12000895	996530007951	SCREW TSP TORX 10 3X10 PLAST.SS						
12	11001556	996530000898	SS BREW UNIT SPRING H=49 SMART						
13	9161.094.150	996530050541	GREY BREW UNIT DRILLED BLOCK						
14		421944051231	YLW BREW UNIT ELBOW SHAFT M5000						
15		421944046931	YLW BREW UNIT COUPLING PLATE V2 SMART						
16	149261350	996530018241	BLACK HOPPER DOSER BREW UNIT SMART1						
17	129912521	996530013148	SCREW TCB TORX 10 3,5X14 PLAST.SS						
18		421944050711	YLW BREW UNIT HOPPER BLOCKING PLATE SMART						
19	9161.378	996530050838	SS HOPPER SPRING FOR BREW UNIT SMART						
20	11004161	996530002096	BLACK SCRAPER FOR BREW UNIT M5000						
21	9161.046	996530050455	SS SCRAPER SPRING FOR BREW UNIT						
22	9161.198	996530050627	SS.8GR.BREW UNIT PISTON SPRING						
23	9161.191	996530050618	WHITE 8GR.-12GR.BREW UNIT PISTON BUSH						
24		421944025621	BLK BREW UNIT INTEGR.PISTON 8GR.V3 ASSY.						
25	11003075	421944014611	BLK COF.CONTAIN.BREW UNIT V2 M5000 ASSY.						
26	11003078	996530001452	BLACK CONNECTING ROD BREW UNIT 8GR.						
27	11005920	996530003228	BLACK BREW UNIT FRONT PLATE S/SCR.SMART						
28	12000897	996530007953	SCREW TCB TORX 10 3,5X20 PLAST.SS						
29		421944034451	BOROSILICATE SPHERE D.5 MM						
30	9161.222	996530050657	SS.CONICAL SPRING						
	11012095	996530006305	SS BREW UNIT CONTERPISTON SPRING S0053						
31		421944029791	BLK BREW UNIT 8GR.INT.PISTON GEN.V3 ASSY						
32	140328761	996530013575	OR ORM 0060-15 TERMOIL						
33	7000737	996530073426	BLACK BREW UNIT CONVEYOR SLIDE L=56,3						



MINUTO CAPPUCINO

TABLE 7/7