

HD8423/11-19-22-28-29-71-79  
 HD8425/11-19  
 HD8427/11-19

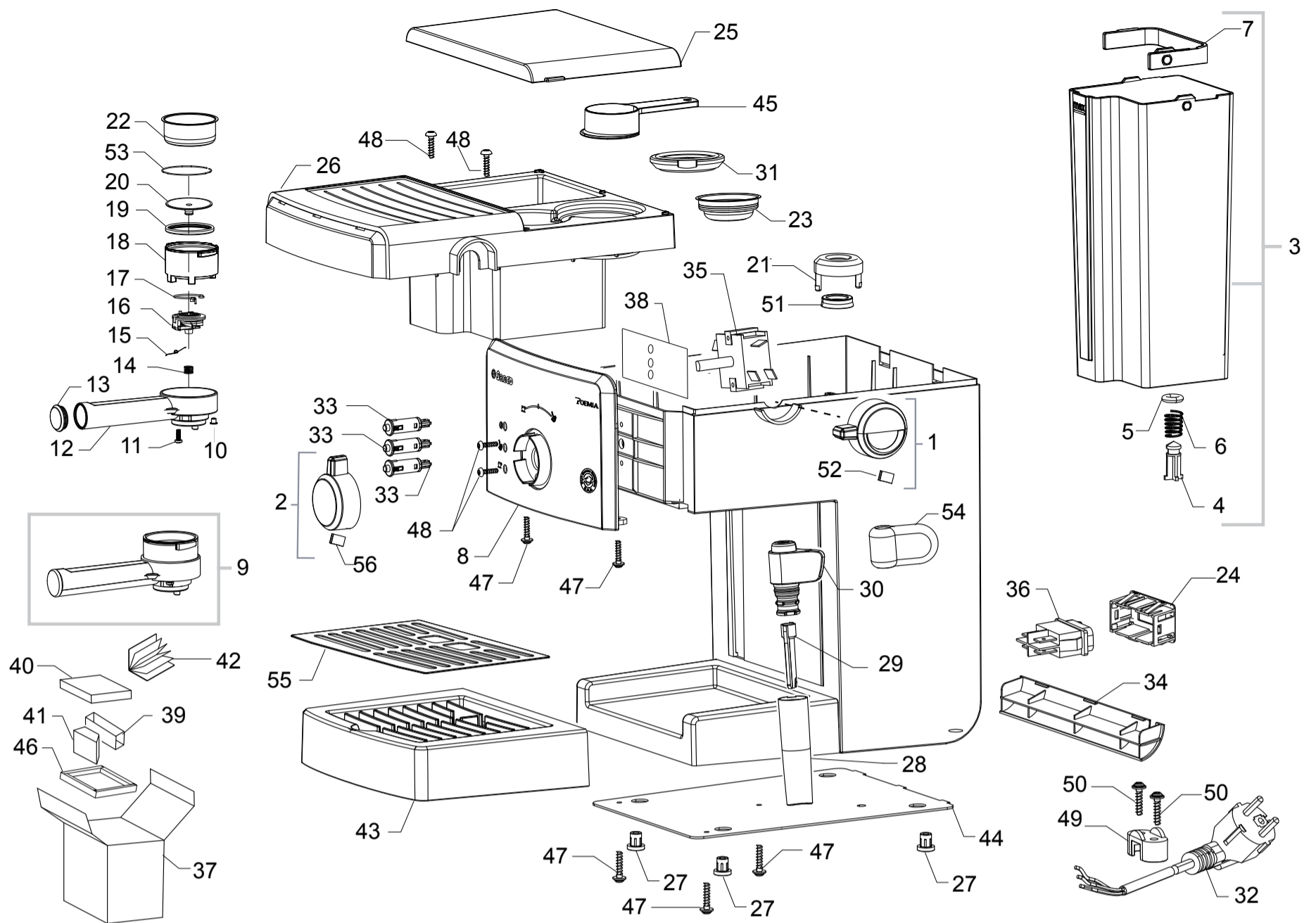


Cod. 882842311020-19010-22010-28300-29300-71020-79020  
 Cod. 882842511020-19010  
 Cod. 882842711020-19010

POS	CODE	12NC	DESCRIPTION	NOTE	POS	CODE	12NC	DESCRIPTION	NOTE
01	11026897	996530067997	CHROM.WATER-STEAM KNOB S/SCR.ABC ASSY.		26	11029357	996530070496	SS/BLACK CASING COVER ABC/M ASSY.	CLASS
		421941303221	BLK WATER-STEAM KNOB S/SCR.ABC ASSY.	DEAL		11027796	996530069921	SS/GREY CASING COVER ABC/T ASSY.	TOP
02	11026901	996530068005	CHROM.CONTROL KNOB ABC ASSY.			11031269	996530072964	SS/WHT CASING COVER ABC/M ASSY.	WHT
		421941303171	BLK CONTROL KNOB ABC ASSY.	DEAL		11031268	996530072956	SS/RED CASING COVER ABC/M ASSY.	RED
03		421941302721	TRANSP.WATER CONTAINER V2 S/SCR.ABC ASSY		27	147623750	996530016889	BLACK ROUND FOOT	
04	147660562	996530016894	GREY PISTON FOR WATER CONTAINER VALVE		28	11001769	996530001012	BLACK PANNARELLO COVER P0049	FOCUS
05	140324362	996530013507	OR ORM 0060-30 SILICONE			11001621	996530001012	SS PANNARELLO COVER P0049	CLASS TOP
06	126764718	996530011626	SS WATER CONTAINER VALVE SPRING		29	11001620	996530000925	BLACK PANNARELLO INNER TUBE P0049	
07	11024822	996530067981	BLACK HANDLE WATER CONTAINER ABC		30		421941300671	BLK/SIL.STEAM TUBE HANDGRIP G0053	
08		421941302861	CHR/BLK FRONT PANEL S/SCR.SAE ABC/B ASSY	FOCUS	31	11025662	996530067977	SS BOIL.PRES.FILTERHOLD.SEAL H=11,3 60SH	
		421941302851	CHR/SS FRONT PANEL S/SC.SAE ABC/M-T ASSY	TOP CLASS	32		421946000841	BLK POWER CABLE SCHUKO L=850	
		421941303141	CHR/BLK FRONT PANEL S/SCR.SAE ABC/D ASSY	DEAL	33	11026889	996530067957	GREEN NEON LAMP ABC	
		421941302901	CHR/WHT FRONT PANEL S/SCR.SAE ABC/B ASSY	WHT	34	11028459	996530070502	BLACK REAR LOWER CASING COVER ABC	FOCUS CLASS
		421941302891	CHR/RED FRONT PANEL S/SCR.SAE ABC/B ASSY	RED		11029464	996530072955	GREY REAR LOWER CASING COVER ABC	TOP
09	11026924	996530067961	BLACK ALUM. PRES.FILTERHOLDER ABC			11031260	996530072949	WHT REAR LOWER CASING COVER ABC	WHT
		421941303651	BLK/BLK ALUM. PRES.FILTERHOLDER ABC	DEAL		11031259	996530072973	RED/3001 REAR LOWER CASING COVER ABC	RED
10	123591309	996530011272	BRASS SPACER FOR PRES.FILTERHOLDER		35	12000824	996530007912	ROTARY SWITCH AYA-2213 FOR P234	
11	129730721	996530013032	TCB SCREW PZ/SW 4X12 UNI 8112 SS		36		242212625105	SWI POW TIMER 1P 12A 250V TRA-1112-T B	
12	11025501	996530067966	BLACK PRES.FILTERHOLDER HANDLE ABC		37		421946011521	DISPL.BOX V4 ABC PSA POEMIA WE-CEE	
13	11025502	996530067996	CHROM FILTERHOLDER HANDLE CAP ABC				421946011531	DISPL.BOX V5 ABC PSA POEMIA WE-CEE	
		421941303191	BLK FILTERHOLDER HANDLE CAP ABC	DEAL	38	11029644	996530070492	NOMEX PROTECTION FOR ROTARY SWITCH ABC	
14	126769918	996530011684	SS SPRING FOR PRES.FILTERHOLDER PIN L=13		39	13001496	996530070503	CARTON FILTERHOLDER PROTECT.INSERT ABC	
15	126768418	996530011667	SS.SPRING FOR CAM PRESS.FILTERHOLDER		40		421946010671	CARTON UPPER INSERT BOX V2 ABC	
16	229181800	996530031265	GREY PRES.FILTERHOLDER PIN SUPPORT ASSY.			13001520	996530070487	CARTON UPPER INSERT BOX ABC	
17	126835818	996530011811	SS.SPRING FILTERHOLD.HAND.PRES/MEC.		41	13001497	996530070505	CARTON CENTRAL INSERT BOX ABC	
18	17000097	996530009582	ALUM/POL.V2 PRES/MECC.FILTERHOLDER		42		421946006891	MANUAL V2 PSA POEMIA AL.SB ABC 12L.WE	WE
19	145847762	996530015878	BROWN PRESS.FILTERHOLDER CONVEYOR SEAL				421946006901	MANUAL V2 PSA POEMIA AL.SB ABC 12L.CEE	CEE
20	142862959	996530015136	GREY CONVEYOR HOLE 1,7 PRES.FILTERHOLDER		43	11024827	996530067962	BLACK DRIP TRAY ABC/B-M	FOCUS CLASS DEAL
21	0701.031.150	996530044417	GREY WATER VALVE GACO DIM 14 SEAL COVER			11027795	996530069923	SS/SILVER DRIP TRAY ABC/T ASSY.	TOP
22	124650221	996530011332	2CUP FILTER 54,5X25 W/O.NOT.HOLE D=48			11031277	996530072951	WHIT DRIP TRAY ABC/B-M	WHT
23	124653221	996530011363	POD FILTER F.D=31 MM H=20,2MM P=2 MM			11031276	996530072966	RED DRIP TRAY ABC/B-M	RED
24		421944017331	BLK SWITCH POWER TIMER SUPPORT ABC		44	11029994	996530072996	STEEL CASING BOTTOM V2 ABC	
25	11024798	996530067998	BLACK WATER CONTAINER LID ABC/B-M	FOCUS CLASS DEAL	45	11025503	996530067983	BLACK GROUND COFFEE MEASURE ABC	
	11027797	996530069918	SS/GREY WATER CONTAINER LID ABC/T ASSY	TOP	46		421946010681	CARTON LOWER INSERT BOX V2 ABC	
	11031273	996530072974	WHT WATER CONTAINER LID ABC/B-M	WHT		13001377	996530068003	CARTON LOWER INSERT BOX ABC	
	11031272	996530072972	RED WATER CONTAINER LID ABC/B-M	RED	47	129912504	996530013147	SCREW TCB TORX 10 3,5X14 PLAST.ZN-N	
26	11024829	996530067988	BLACK CASING COVER ABC/B-M	FOCUS DEAL	48	129913902	996530013164	SCREW TCB TORX 10 3X12 PLAST.ZN-B	



POEMIA ALUMINIUM BOILER SO

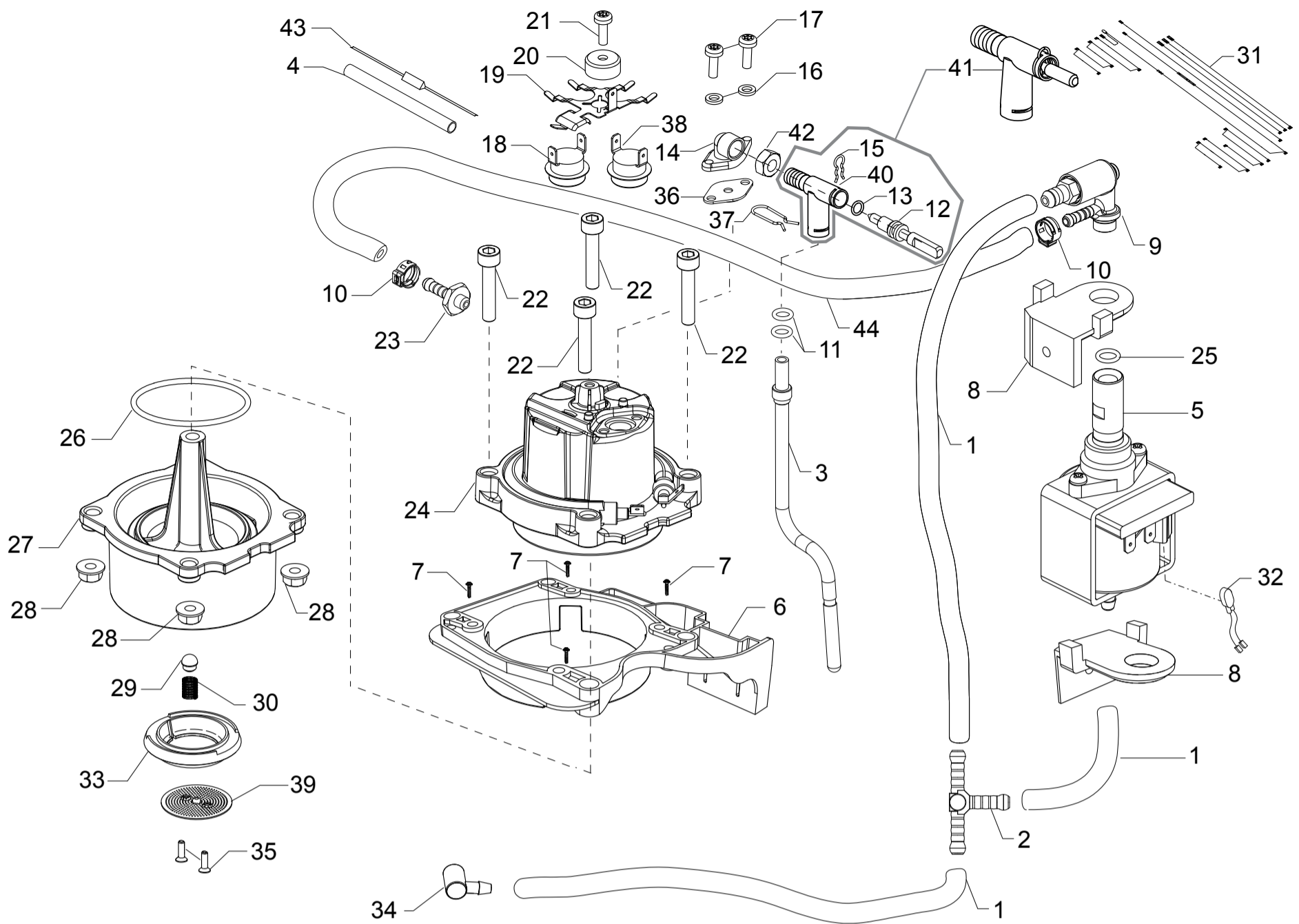


HD8423/11-19-22-28-29-71-79  
 HD8425/11-19  
 HD8427/11-19



Cod. 882842311020-19010-22010-28300-29300-71020-79020  
 Cod. 882842511020-19010  
 Cod. 882842711020-19010

POS	CODE	12NC	DESCRIPTION	NOTE	POS	CODE	12NC	DESCRIPTION	NOTE
49	148600600	996530017451	BLACK POWER CABLE CLAMP MAGIC ESP/COM.						
50	12000450	996530007819	SCREW TCBR TORX 10 3,5X12 PLAST.ZN-N						
51	145842900	996530015823	NBR WATER CONT.VALVE GACO DIM14 SEAL						
52	DM0814	996530054358	STEEL SPRING FOR KNOB TYMER						
53	17001431	996530073025	SS SPRING FOR FILTERHOLDER ABC						
54		421941303261	BLK STEAM TUBE HANDGRIP NWPL/D	DEAL					
55	11024828	996530067992	SS GRATE FOR DRIP TRAY ABC/M-T						
56		421946006151	STEEL SPRING FOR CONTROL KNOB V2 ABC						



HD8423/11-19-22-28-29-71-79  
 HD8425/11-19  
 HD8427/11-19



Cod. 882842311020-19010-22010-28300-29300-71020-79020  
 Cod. 882842511020-19010  
 Cod. 882842711020-19010

POS	CODE	12NC	DESCRIPTION	NOTE	POS	CODE	12NC	DESCRIPTION	NOTE
01	149361400	996530018281	TRANSP.SILICONE TUBE 5X9 65SH	IN ROLL	38	189425100	996530026928	THERMOSTAT 127° 1NT-01L-0499	
02		421944014091	BLK WATER OUTLET T CONNECTOR ABC		39	123741722	996530011295	ALUM.PERCOL.FOR ALUM.BOILER JUNIOR	
03	11024852	996530067984	SS STEAM TUBE ABC ASSY.		40	11025139	996530067991	L-F/BRASS STEAM FAUCET FOR SS BOILER ABC	
04	229405400	996530031792	TEFLON TUBE 4,2X0,38 L=100 MM		41	17000512	996530067964	L-F/BRASS V2 STEAM FAUCET ABC ASSY.	
05	12000833	996530007915	DEFOND PUMP P-50 A2P GW 230V-50HZ		42	12001900	996530073509	GALV.NUT 1/8 GAS H=4.5 CH=13	
06		421946000821	BLK SUPP.ALU BOILER AND PUMP ABC		43	12001881	996530073522	THERMAL FUSE 184°C 10/15 A	
07	12000450	996530007819	SCREW TCBR TORX 10 3,5X12 PLAST.ZN-N		44	16000380	996530009505	5X8,9 SILICONE TUBE	IN ROLL
08	149205850	996530018056	BLACK TYPE ULKA PUMP W/BEVEL SUPPORT			11031434	996530073512	ALU.GEN.BOILER ABC 230V ASSY.	COMPLETE
09	11025482	996530073004	PLAST-BR/L-F SAFETY VALVE 16-18 BAR ASSY						
10	12000892	996530007947	OETIKER CLAMP D=9,5 16700004						
11	140321861	996530013467	O-RING 2025 EPDM						
12	11024775	996530068004	L-F/BRASS FAUCET SHAFT SS.BOILER NEWGEN						
13	WGADM0041/031	996530063888	OR 2018 VITON 70 SH						
14	11025150	996530073511	L-F/BRASS CONNECT.FAUCET/ALUM.BOILER ABC						
15	9011.144	996530048885	SS FORK FOR TUBE D=4						
16	128310402	996530012341	GALV.WASHER UNI 8842 A4						
17	U046.003	996530061862	SCREW TCBD TORX 20 M4X12 ZN-B						
18	189422000	996530026907	THERMOSTAT 95° 1NT-01L-0036						
19	11013833	996530006874	ALUM.BOILER THERMOST.FIXING SPRING AURA						
20	128171020	996530012329	BRASS WASHER DE =16 SPRING HOLD THERM.						
21	129583102	996530012941	SCREW TCB M4X12 AUTOFORMING ZN-B						
22	U023.022	996530061792	SCREW TCEI M6,0X30 UNI 5931 8.8 ZNP						
23	11024043	996530073508	SS CONNECTOR FOR ALUM.BOILER						
24	11013306	996530006738	AL.UPPER CASING BOILER JUN.CHN 230V ASSY						
25	140321961	996530013471	O-RING 2031 TERMOIL						
26	140325962	996530013534	O-RING 3212 SILICONE						
27		421946000831	GLOSS ALU.LOWER BOILER CASING ABC ASSY.						
28	123270102	996530011202	NUT M6 FLANGED TOOTHED BASE GALV.						
29	149450588	996530018311	65SH SILICONE BOILER SEALING VALVE						
30	126770818	996530011693	SS SPRING FOR ALU.BOILER SEALING VALVE						
31		421946006781	WIRING V3 ABC ASSY.						
32	189201000	996530026853	THERMAL PROTECTOR 120°C CABLES112/265						
33	11013378	996530006756	ALU.BOILER FILTERHOLDER SEAL JUNIOR						
34		421944014781	BLK 90° INLET PUMP CONNECTOR						
35	129580721	996530012935	SCREW TSP TORX 10 M3X8 AUTOFORMING SS						
36	145845362	996530015849	SILIC.SEAL FOR ALUM.BOILER FAUCET JUNIOR						
37	126764018	996530011619	SS SPRING D=1 STEAM TUBE HOLDER JUN.						

