

Service Service Service



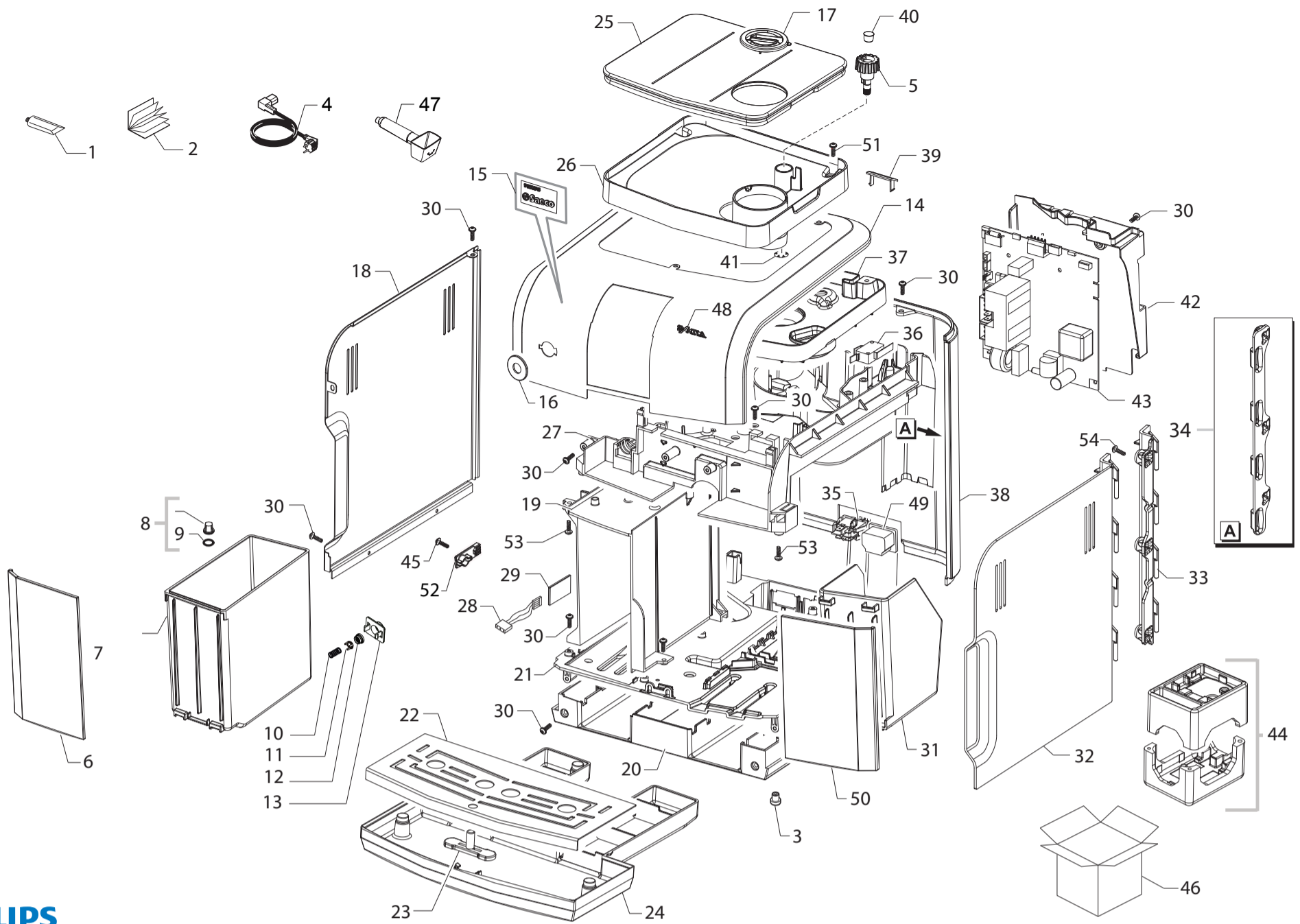
Exploded View

Contents

Table

External / Electronical components	1/5
Front panel/User interf./Coffee. disp.	2/5
Water system with slim boiler	3/5
Coffee grinder assembly	4/5
Gear motor / Brewing unit	5/5

All rights reserved. No part of this publication may be reproduced, stored in a retrieval system or transmitted, in any form or by any means, electronic, mechanical, photocopying, or otherwise without the prior permission of Saeco.

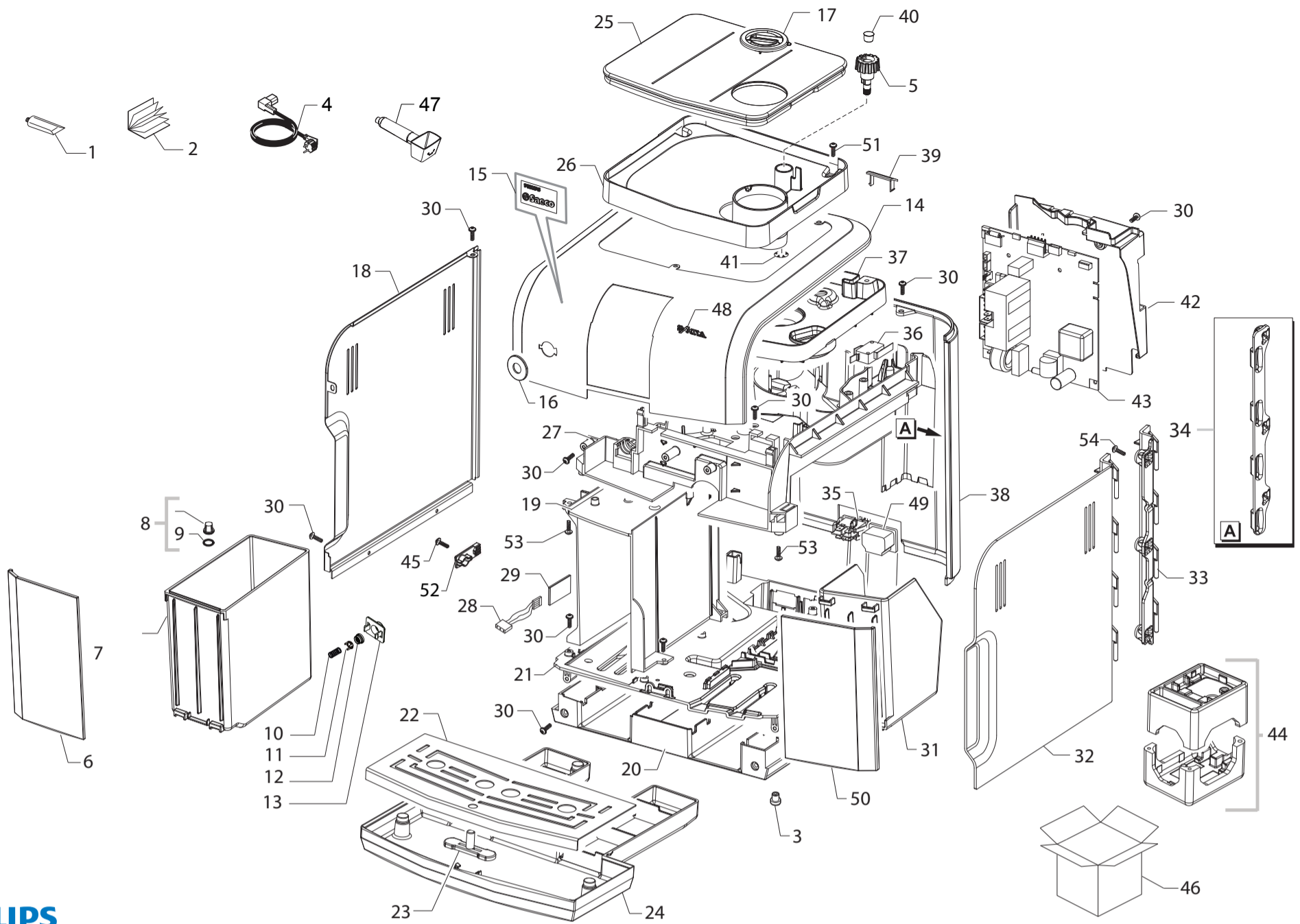


PHILIPS

Saeco

HD8833/11-12-13-14-15-16
HD8833/18-19-31-39-47Cod.10003553-3554-3555-3556-3557-3558
Cod.10003614-3765-3826-3827-3889

POS	CODE	DESCRIPTION	NOTE	POS	CODE	DESCRIPTION	NOTE
01	11028379	PSA KLUBER TRIBOSTAR SIL 2 TUBE 5GR.		12	11003671	TRANSP.VALVE FOR WATER CONTAINER P0049	
02	15002479	MANUAL PSA SUP037R XSM/P IT		13	11001298	BLACK LID FOR DUCKBILL VALVE P0049	
	15002520	MANUAL PSA SUP037R XSM/P GB		14	11023341	UPPER CASING COVER XSM/P ASSY.	BLACK
	15002521	MANUAL PSA SUP037R XSM/P DE			11025998	UPPER CASING COVER XSM/P ASSY.	BLUE
	15002522	MANUAL PSA SUP037R XSM/P FR		15	11025026	ADHES.SILVER PLATE LOGO PHILIPS-SAECO	
	15002523	MANUAL PSA SUP037R XSM/P ES		16	11012921	CHROMED UPPER COVER CASING CAP XSM	
	15002524	MANUAL PSA SUP037R XSM/P PT			11027486	CHROM.UPPER COVER CASING CAP V2 XSM	
	15002525	MANUAL PSA SUP037R XSM/P NL				FROM S/N TU901128095110	
	15002526	MANUAL PSA SUP037R XSM/P SV		17	11013102	NATUR/GREY GROUND COFFEE HOPPER LID XSM	
	15002527	MANUAL PSA SUP037R XSM/P NO		18	11013107	CASING LEFT SIDE XSM	BLACK
	15002528	MANUAL PSA SUP037R XSM/P FI			11021374	CASING LEFT SIDE XSM	WHITE
	15002529	MANUAL PSA SUP037R XSM/P DA		19	11012708	BLACK CASING BOTTOM INSERT XSM	
	15002530	MANUAL PSA SUP037R XSM/P GR		20	11012681	BLACK CASING BOTTOM COVER XSM	
	15002531	MANUAL PSA SUP037R XSM/P PL			11013471	CASING BOTTOM COVER XSM	WHITE
	15002532	MANUAL PSA SUP037R XSM/P RU		21	17000432	BLACK CASING BOTTOM XSMC	
	15002533	MANUAL PSA SUP037R XSM/P HU		22	11012706	SS GRATE FOR DRIP TRAY XSM	
	15002534	MANUAL PSA SUP037R XSM/P CS		23	11013184	RED FLOAT FOR DRIP TRAY XSM	
	15002535	MANUAL PSA SUP037R XSM/P SK		24	11013229	DRIP TRAY XSM ASSY.	BLACK
	15002536	MANUAL PSA SUP037R XSM/P UA			11021857	DRIP TRAY XSM ASSY.	WHITE
	15002537	MANUAL PSA SUP037R XSM/P SL		25	11012725	NATUR/GREY BEAN COFF.CONTAINER LID XSM	
	15002538	MANUAL PSA SUP037R XSM/P RO		26	11012724	NATUR/GREY BEAN CONTAINER XSM	
	15002539	MANUAL PSA SUP037R XSM/P SI		27	11012642	COFFEE GRINDER PLATE XSM BLACK	
	15002540	MANUAL PSA SUP037R XSM/P BG		28	11013709	3POLES CONNECTOR WATER LEVEL XSM UL	
	15002541	MANUAL PSA SUP037R XSM/P SR		29	11000651	WATER LEVEL SENSOR BOARD P124	
	15002542	MANUAL PSA SUP037R XSM/P CHN		30	12000450	SCREW TCBR TORX 10 3,5X12 PLAST.ZN-N	
	15002543	MANUAL PSA SUP037R XSM/P KOR		31	11012709	BLACK DUMP BOX XSM	
	15002544	MANUAL PSA SUP037R XSM/P TWN		32	11013161	DOOR RIGHT SIDE XSM ASSY.	BLACK
03	147622800	TRANSPARENT SILICONE FOOT			11022260	WHITE DOOR RIGHT SIDE XSM ASSY.	
04	11004246	BLACK POWER CABLE TAIWAN HVCTF L=1200		33	11012713	BLACK HINGE FOR DOOR RIGHT SIDE XSM	
	11004247	BLACK POWER CABLE RVV 3X1 CHINA L=1200MM		34	11012714	BLACK HINGE FOR REAR CASING XSM	
	11001985	BLACK POWER CABLE KOREA 3X1 L=1200		35	NE03.038	BIPOLEAR SWITCH FUSIT C1250AR	
	183911050	BLACK POWER CABLE SCHUKO L=1200		36	NE05.013	MICROSWITCH	
	183940650	BLACK POWER CABLE AUSTRALIA L=1200		37	11012719	SOUNDPROOFING COVER FOR COFGRINDER XSM	
	183970350	BLK POWER CABLE 3X1 H05VV-F UK L=1200MM		38	11013104	REAR CASING XSM	BLACK
	183921950	POWER CABLE SJT3 USA BLACK UL L=1200			11013600	REAR CASING XSM	WHITE
05	11013206	BLACK GRIND.ADJUSTMENT KNOB XSM		39	11013704	TRANSPARENT COVER INFRAREDS ACCESS XSM	
06	11023345	CONTAINERS COVER XSM ASSY.	BLACK	40	149213000	TRANSP.CAP FOR KNOBS BEAN CONTAINER	
	11026059	CONTAINERS COVER XSM ASSY.	BLUE	41	120350604	SHAFT 6 UNI 7434	
07	11013093	NATUR/GREY WATER CONTAINER XSM ASSY.		42	11012301	BLACK PWR/CPU BOARD PROTECTION P0057	
08	224640200	EXTERNAL FILTER FOR WATER CONTAINER ASSY	WITH PART. N° 09	43	11027925	AS.CPU+SW XSM SLIM 230V	230V
09	140328461	EPDM OR METRIC 0190-10			11023761	AS.CPU+SW P0057 V2 STD	120V
10	11003672	SPRING FOR WATER CONTAINER VALVE P0049		44	20006885	KIT PS-E INSERT FOR BOX XSM	
11	11003673	GREY WATER CONTAINER VALVE INSERT P0049					



PHILIPS

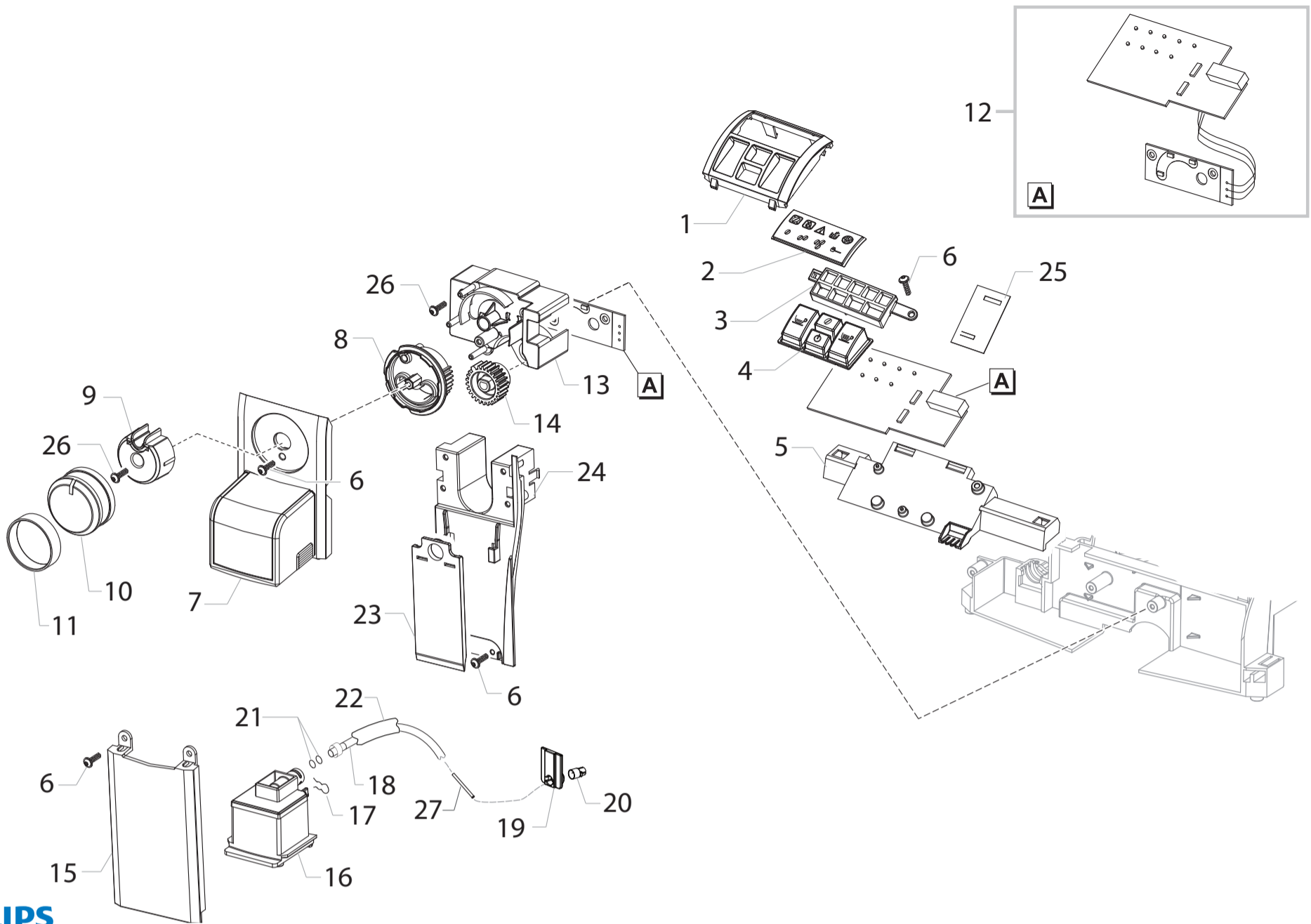
Saeco

HD8833/11-12-13-14-15-16
HD8833/18-19-31-39-47



Cod.10003553-3554-3555-3556-3557-3558
Cod.10003614-3765-3826-3827-3889

POS	CODE	DESCRIPTION	NOTE	POS	CODE	DESCRIPTION	NOTE
45	129913202	SCREW TCB TORX 10 3X8 PLAST.ZN-B					
46	13001280	DISPLAY BOX XSMP PSA SYNTIA FOCUS WE					
	13001281	DISPLAY BOX XSMP PSA SYNTIA FOCUS CEE					
	13001373	DISPLAY BOX XSMP PSA SYNTIA FOCUS USA					
47	146680850	BLACK COFFEE MEASURE SMART					
48	11022065	ADHES.SILVER PLATE LOGO SYNTIA					
49	12000280	CUP SOCKET EN 60320 C 13					
	12001645	CUP SOCKET V2 EN 60320 C 13	USA UL				
50	11023346	DUMP BOX COVER XSM ASSY.	BLACK				
	11025997	DUMP BOX COVER XSM ASSY.	BLUE				
51	129912504	SCREW TCB TORX 10 3,5X14 PLAST.ZN-N					
52	17000064	BLACK CAPACITIVE SENSOR INSERT XSM					
53	129912521	SCREW TCB TORX 10 3,5X14 PLAST.SS					
54	12001728	SCREW TCB TORX 10 3,5X12 PLAST.SS					



PHILIPS

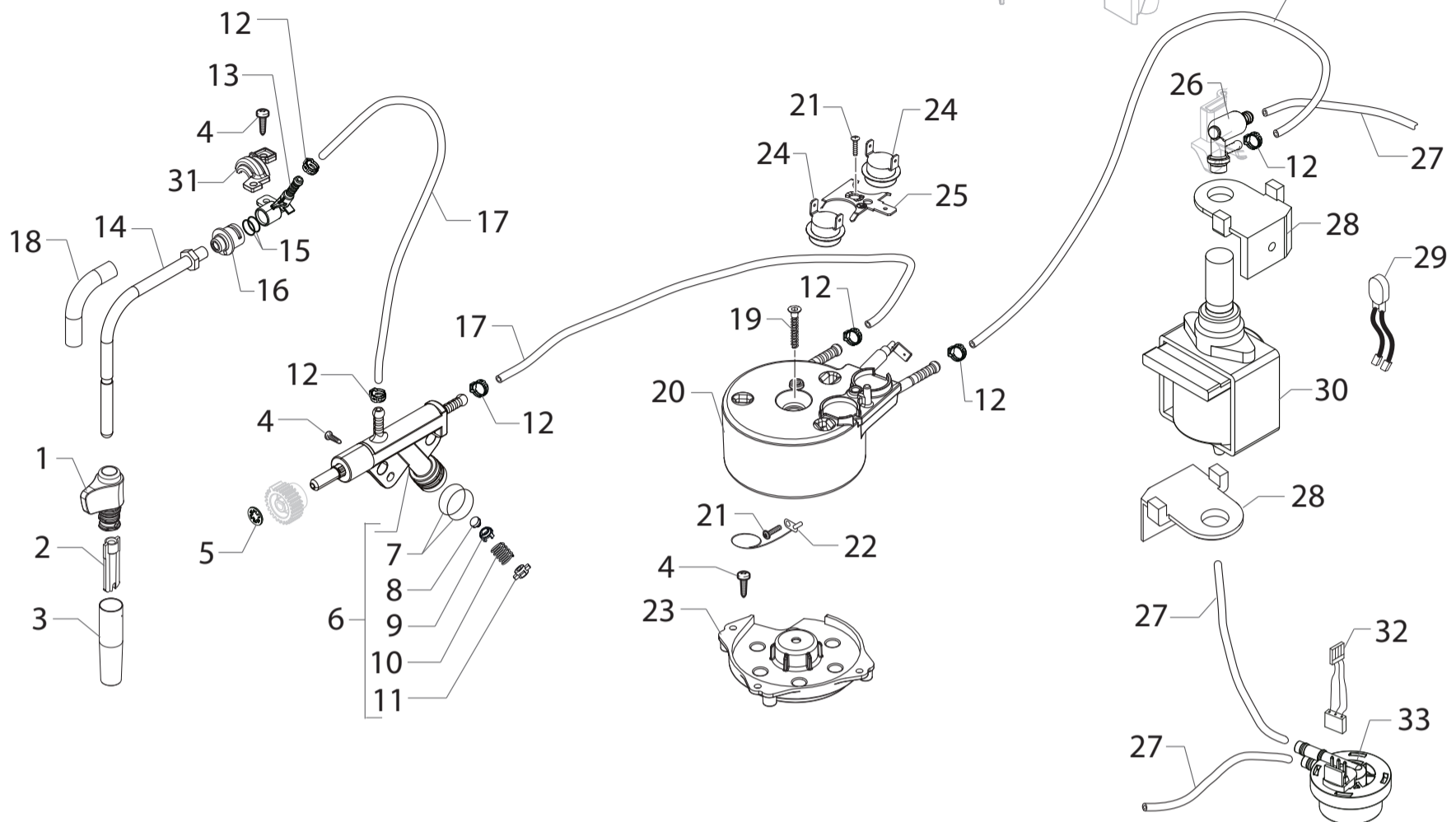
Saeco

HD8833/11-12-13-14-15-16
HD8833/18-19-31-39-47



Cod.10003553-3554-3555-3556-3557-3558
Cod.10003614-3765-3826-3827-3889

POS	CODE	DESCRIPTION	NOTE	POS	CODE	DESCRIPTION	NOTE
01	11022826	CHROMED DISPLAY FRAME XSM/P					
02	11013523	TRANSPARENT GLASS FOR DISPLAY XSM/P					
03	11022837	BLACK GUIDE LIGHT SUPPORT XSM/P					
04	11022824	SILVER TOUCH PANEL S/SCREEN XSM/P					
05	11013526	BLACK DISPLAY SUPPORT XSM/P					
06	12000450	SCREW TCBR TORX 10 3,5X12 PLAST.ZN-N					
07	11021760	CHROM.COFF.DISPENSER SUPP:SCR.XSM ASSY					
08	11013117	BLACK CONTROL KNOB SUPPORT XSM ASSY.					
09	11012701	BLACK CONTROL KNOB XSM					
10	11013091	CHROMED CONTROL KNOB COVER XSM/H					
11	11021454	BLACK CONTROL KNOB COVER INSERT XSM					
12	11013423	INTERFACE LED BOARDS+UL CABLES XSM/P ASS					
13	11012704	BLACK KNOB ELECTR.BOARD SUPPORT XSM					
14	11004120	BLACK STEAM/WATER GEAR Z=26 P0057					
15	11013096	CHROMED FRONT PLATE XSM					
16	11013070	BLACK COFFEE DISPENSER XSM ASSY.					
17	9011.144	SS FORK FOR TUBE D.4					
18	11004132	TEFLON TUBE 2X4 L=250 MM ASSY					
19	11005100	PLATE FOR 4X2 TEFLON TUBE P124					
20	11005101	BUSH FOR 4X2 TEFLON TUBE P124					
21	140328059	OR 2015 IN SILICONE PTFE/FDA					
22	149361200	BLACK SILICONE TUBE 7,5X9,3	IN ROLL				
23	11013411	BLACK COFF.DISPENSER MOBILE PART SUPP:XSM					
24	11012707	BLACK FRONT PANEL SUPPORT XSM					
25	17000445	BLACK KYB-LED BOARD PROTECTION XSM/P					
26	129912504	SCREW TCBR TORX 10 3,5X14 PLAST.ZN-N					
27	17000266	SS.L=22,6MM INT.BUSH FOR TEFLON TUBE D4					



PHILIPS

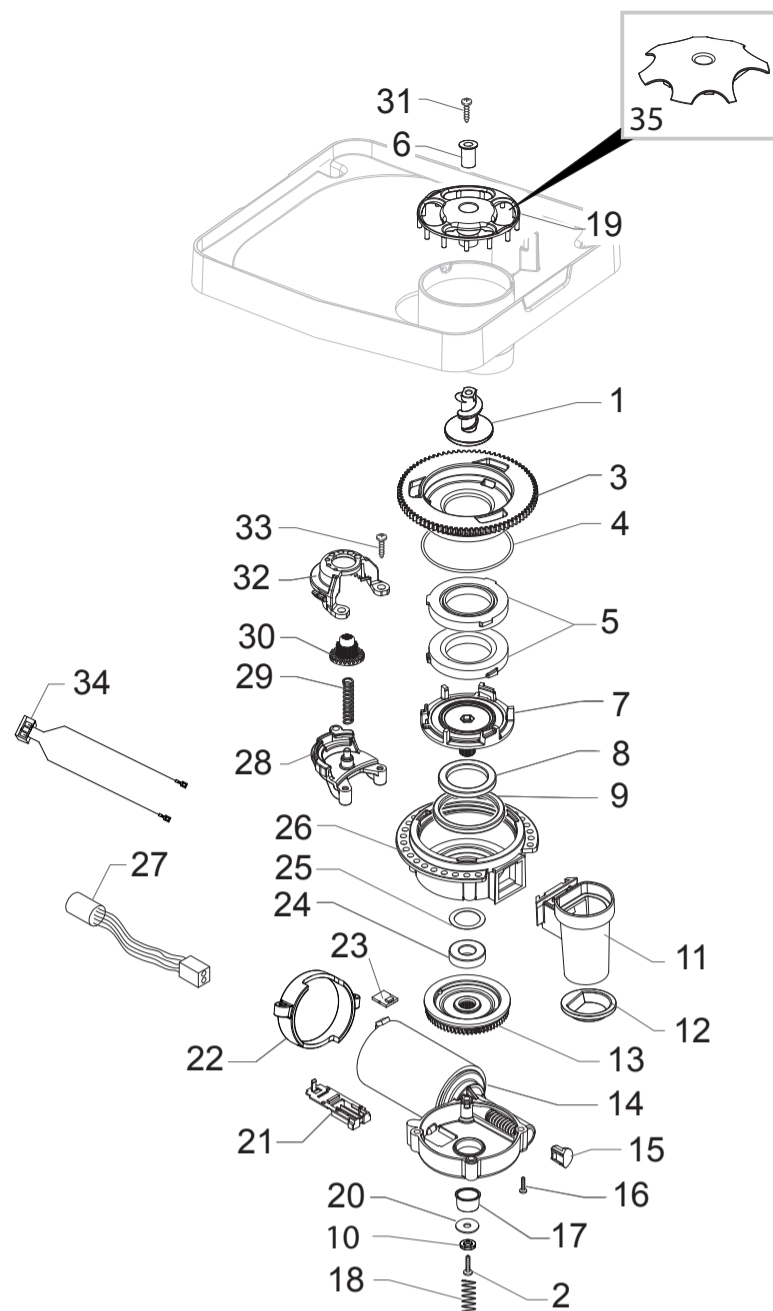
Saeco

HD8833/11-12-13-14-15-16
HD8833/18-19-31-39-47

CE

Cod.10003553-3554-3555-3556-3557-3558
Cod.10003614-3765-3826-3827-3889

POS	CODE	DESCRIPTION	NOTE	POS	CODE	DESCRIPTION	NOTE
01	11007194	BLACK STEAM TUBE HANDGRIP G0053					
02	11001620	BLACK PANNARELLO INTERNAL TUBE P0049					
03	11001621	SS PANNARELLO COVER P0049					
04	12000450	SCREW TCBR TORX 10 3,5X12 PLAST.ZN-N					
05	128210600	ELASTIC WASHER FOR SHAFT D=6MM					
06	11012381	FLOW SELECTOR FAUCET V2 P0057					
07	12000893	OR METRIC 0120-20 IN EPDM					
08	11008104	MUSHROOM VALVE FOR FLOW SELECTOR P0057					
09	11008105	SUPPORT VALVE FOR FLOW SELECTOR P0057					
10	11008077	SPRING FOR VALVE FLOW SELECTOR P0057					
11	11008106	VALVE CAP FOR FLOW SELECTOR P0057					
12	12000892	OETIKER CLAMP D=9,5 16700004					
13	11005757	STEAM TUBE SUPPORT P0057					
14	11013637	TF/CHROMED STEAM TUBE XSM ASSY.					
15	140324461	OR ORM 0060-20 IN TERMOIL					
16	11011127	BLACK PA6 BUSH FOR STEAM TUBE P0057					
17	16000380	5X8,9 SILICONE TUBE	IN ROLL				
18	11012923	CHROMED STEAM TUBE PROTECTION XSM					
		UP TO S/N TU901128095109					
19	12001369	SCREW TSP TORX 10 5X35 PLAST.SS					
20	11013735	SLIM TUB. BOILER ASSY.	230V-1300W				
	11023153	SLIM TUB. BOILER ASSY.	120V - 1300W				
21	12001715	SCREW TCB TORX 20 M4X8 AUTOFORMING ZN-B					
22	190800100	TEMPERATURE SENSOR NTC UL L=280MM					
23	11022791	BLACK SLIM/EXSL BOILER SUPPORT					
24	12001033	THERMOSTAT ONE SHOT 190°					
25	11001751	THERMOSTATES SPRING FOR BOILER					
26	11004689	TEA/BRASS SAFETY VALVE 16-18 BAR ASSY.					
27	JS01.022	SILICONE TUBE 5X10 60 SHORE	IN ROLL				
28	149205850	BLACK PUMP SUPPORT TYPE ULKA					
29	11009747	2POLES CONNECTOR PUMP P0057 UL					
30	12000140	ULKA PUMP EP5/S GW	230V-50HZ				
	12000182	ULKA PUMP EP5/S GW	220V-60HZ				
	12000142	ULKA PUMP EAP5/S	120V-60HZ				
31	11013894	BLACK FORK FOR STEAM TUBE GXSM					
32	11005948	3POLES CONNECTOR FLOWMETER P0057					
33	NV99.099	TURBINE D=1,2 932-8521/00 ASSY.					
	11026683	SLIM TUB. BOIL. STD C1 T190° 1300W 230V AS	230V-1300W				
	11026684	SLIM TUB. BOIL. STD C1 T190° 1300W 120V AS	120V-1300W				
		WITH PART.N°20-21-22-24-25					



PHILIPS

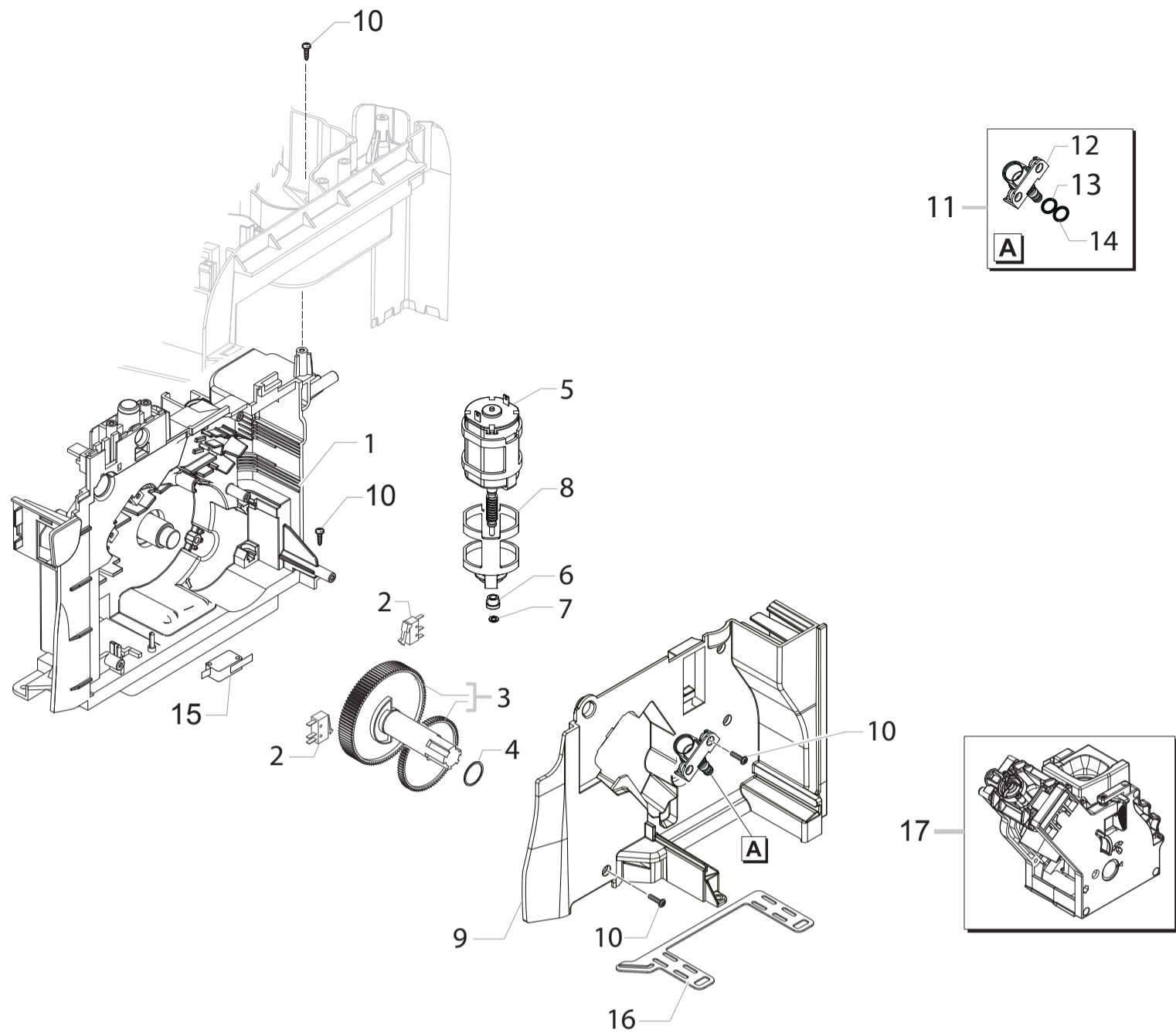
Saeco

HD8833/11-12-13-14-15-16
HD8833/18-19-31-39-47

CE

Cod.10003553-3554-3555-3556-3557-3558
Cod.10003614-3765-3826-3827-3889

POS	CODE	DESCRIPTION	NOTE	POS	CODE	DESCRIPTION	NOTE
01	11010031	TEA ZAMA INCREASE SCREW GRINDER					
	11024208	TEA SHORT ZAMA INCREASE SCREW GRINDER	USA UL				
02	129574802	SCREW TCB TORX 20 M4X30 ZN-B					
03	149198250	UPPER GRINDER SUPPORT COFFEEGRINDER					
04	140328960	NBR FDA OR METRIC 0530-15					
05	146520100	BAKED CLAY GRINDER 48X28					
06	11012466	BRASS BUSH BEAN CONT.FINGER PROTEC.P0057					
07	149198350	LOWER GRINDER SUPPORT COFFEEGRINDER					
08	123030300	AXIAL BEARING EKKO 342.35252					
09	140360500	FELT RING 45,4X39,4X4					
10	128310402	GALV.WASHER UNI 8842 A4					
11	11026355	BLK GROUND COFF.OUTLET CONVEYOR V4 ASSY.					
12	145854462	GROUND COFFEE CONT.SEAL LOWER SMART1					
13	226000300	GEAR SX Z=38 FOR GRINDER MOTION ASSY.					
14	11000513	MOTOR COFFEEGRINDER/V3.1 ASSY	230V				
	11000511	MOTOR COFFEEGRINDER/V3.1 120V ASSY					
15	149214800	CAP FOR WORM SCREW MC/V3 CENTRING					
16	129661702	SCREW TCB TORX 3,5X30 PLAST.ZN-B					
17	11002873	INSULATOR BUSH FOR GRINDER MOTOR P124					
18	11000597	COFFEE GRINDER SUPPORT SPRING P124					
19	11014285	BLK V2 BEAN CONTAIN.FINGER PROTECT.P0057					
20	128381902	GALVAN.FLAT WASH.DI=4,3 DE=14 SP=1,5					
21	149199050	SENSOR SUPPORT FOR COFF.GRIND.MOTOR					
22	11000194	BLACK GRINDER MOTOR SUPPORT P124					
23	181540900	ELECTRONIC BOARD WITH SENSOR HAL506					
24	123030200	RADIAL BEARING 61900.2RS1					
25	128381800	CRINKLE WASHER 21,8X15,8X0,2					
26	142905450	UPPER BODY WITH COFFE.GROUND OUTLET					
27	11008871	3 POLES CONNECTOR MC SENSOR S0053 UL					
28	11002613	LOWER GEAR SUPPORT COFFEEGRINDER P124					
29	11002572	GRINDER REGULATION SPRING P124					
30	11003784	COFFEE GRINDING ADJUSTMENT GEAR P0049					
31	U043.004	ZN-B TCB SCREW M4X16					
32	11002508	UPPER GEAR SUPPORT COFFEEGRINDER P124					
33	129914002	SCREW TCB TORX 10 3,5X16 PLAST.ZN-B					
34	11008869	2POLES CONNECTOR GRINDER MOTOR S0053					
35	11022841	TRANS.BEAN CONTAIN.FINGER PROTECT.XSM UL	USA UL				
	11006059	MC GENERAL MOTOR P0057 STD ASSY.	230V				
	11013028	MC GENERAL MOTOR P0057 120V ASSY.	120V				
	11024242	GEN.MOTOR COF.GRINDER V3 P0057 120V ASSY	USA UL				



PHILIPS

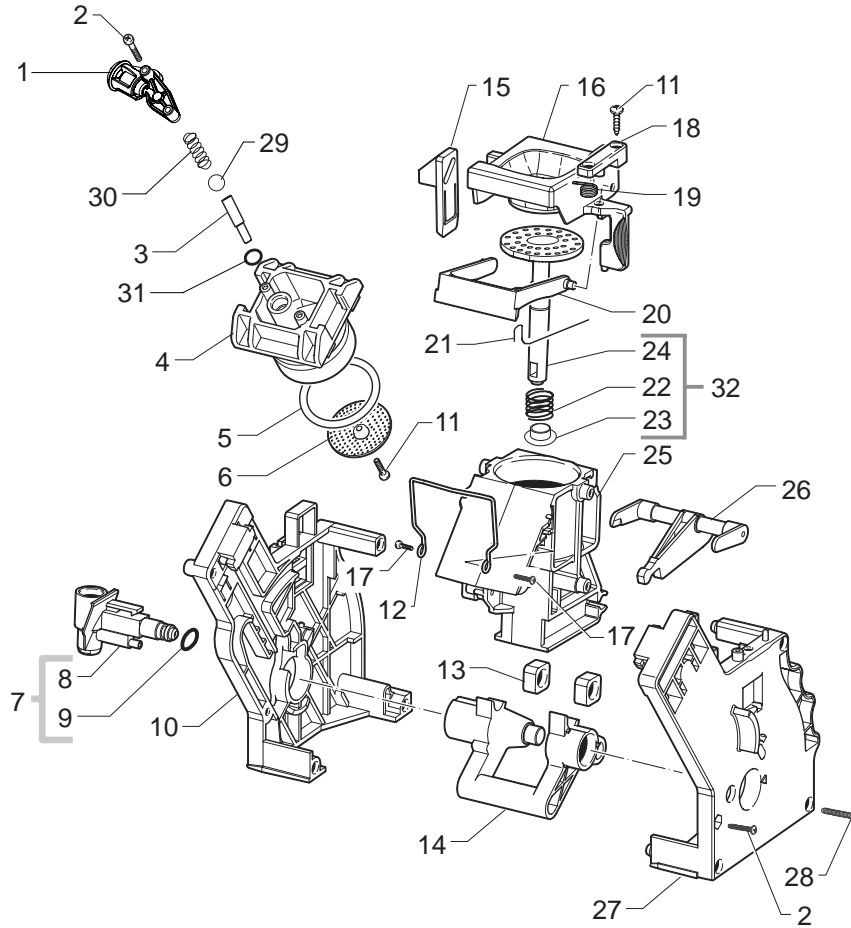
Saeco

HD8833/11-12-13-14-15-16
HD8833/18-19-31-39-47



Cod.10003553-3554-3555-3556-3557-3558
Cod.10003614-3765-3826-3827-3889

POS	CODE	DESCRIPTION	NOTE	POS	CODE	DESCRIPTION	NOTE
01	17000366	BLK RATIOMOTOR MOUNTING PLATE XSMC ASSY.					
02	NE05.038	MICROSWITCH					
03	20000900	SPARES KIT GEARS FOR RATIOMOTOR V2					
04	9161.132	MYLAR WASHER FOR RATIOMOTOR					
05	11005214	MOTOR FOR RATIOMOTOR P124 ASSY.					
06	9121.046	SINTERED BUSH FOR MOTOR					
07	148380200	WASHER BAKELIZZATE D=5,5					
08	9121.044	ANTIVIBRATION FOR MOTOR					
09	11003754	BLACK COVER FOR MOUNTING PLATE P0057					
10	12001728	SCREW TCBR TORX 10 3,5X12 PLAST.SS					
11	11013531	PIN FOR FLOW SELECTOR FAUCET P0057 ASSY.					
12	11013530	V2 PIN FOR FLOW SELECTOR FAUCET P0057					
13	NM01.035	OR ORM 0090-20 SILICONE					
14	NM01.057	OR ORM 0050-20 SILICONE					
15	NE05.013	MICROSWITCH					
16	11013205	SEAL FOR RATIOMOTOR PLATE XSM					
17	11012382	BLACK BREW UNIT 8GR.5BAR P0057					
		SEE EXP.CODE E90067 NEXT PAGE					



POS	CODE	DESCRIPTION	NOTE	POS	CODE	DESCRIPTION	NOTE
01	11009362	BLACK COFFEE OUTLET SLEEVE S0053 ASSY.					
02	12000550	SCREW TCB TORX 10 3X25 PLAST.SS					
03	11009276	TUBE FOR COUNTER PISTON BREW UNIT S0053					
04	11001840	BLACK COUNTER PISTON BREW UNIT 8GR.P124					
05	NM01.044	OR ORM 0320-40 SILICONE PTFE/FDA					
06	9161.268	PERCOLATOR DE=35,8 ELFO					
07	20000440	BLACK SPARE SLEEVE UNIT					
08	9161.064.050	BLACK WATER INLET SLEEVE BREW UNIT					
09	NM02.007	OR 2025 TERMOIL					
10	9161.375.050	BLACK REAR PLATE FOR BREW UNIT SMART					
11	12000895	SCREW TSP TORX 10 3X10 PLAST.SS					
12	11001556	SPRING H=49 FOR COFFEE BREW UNIT SMART					
13	9161.094.150	GREY DRILLED BLOCK BREW UNIT					
14	9161.066.050	ELBOW SHAFT FOR UNIT BLACK					
15	9161.373.050	BLACK COUPLING PLATE BREW UNIT SMART					
16	149261350	BLACK HOPPER DOSER BREW UNIT SMART1					
17	129912521	SCREW TCB TORX 10 3,5X14 PLAST.SS					
18	9161.374.050	BLACK HOPPER BLOCKING PLATE UNIT SMART					
19	9161.378	SPRING HOPPER SMART BREW UNIT					
20	11004161	BLACK SCRAPER FOR COFFEE UNIT					
21	9161.046	SPRING FOR UNIT SCRAPER					
22	9161.198	PISTON SPRING BREW UNIT M5000					
23	9161.191	NEUTRAL PISTON BUSH BREW UNIT M5000					
24	11003077	BLACK INTEGRAL PISTON UNIT P124 8GR.ASS					
25	11003075	BLACK COFFEE CONTAINER BREW UNIT P124	WITH PART. N° 12				
26	11003078	BLACK CONNECTING ROD FOR UNIT P124 8GR.					
27	11005920	BLACK FRONT PLATE BREW UNIT SMART S.SCR.					
28	12000897	SCREW TCB TORX 10 3,5X20 PLAST.SS					
29	9991.168	GLASS SPHERE D.5MM					
30	11012095	SPRING FOR CONTERPISTON UNIT S0053					
31	140328761	OR METRIC 0060-15 IN TERMOIL					
32	11023086	BLK 8GR.BREW UNIT NTEGR.PISTON GEN.ASSY.					
	11012382	BLACK BREW UNIT 8 GR.5 BAR S0053					